

# Trusscore SlatWall Installation Guide

# Trusscore SlatWall

Trusscore SlatWall is a heavy-duty wall storage solution designed to organize your home, office, or workspace.

Trusscore SlatWall is easy-to-install and allows anyone to quickly improve the look and function of any space. Trusscore SlatWall adds storage capacity and high functioning organization and serves as the perfect accompaniment to Trusscore Wall&CeilingBoard.

## Contents

|  |    |
|--|----|
| <a href="#">Warranty</a>   | 2  |
| <a href="#">Materials Required</a>   | 3  |
| <a href="#">Tools Required</a>   | 4  |
| <a href="#">General Recommendations</a>  | 4  |
| <a href="#">Cutting</a>  | 4  |
| <a href="#">Fastening</a>  | 4  |
| <a href="#">Recommended Fasteners</a>  | 4  |
| <a href="#">Fastening Tips</a>   | 5  |
| <a href="#">Panel Spacing</a>  | 5  |
| <a href="#">Trim</a>   | 5  |
| <a href="#">Use of Silicone Sealant</a>  | 5  |
| <a href="#">Radiant Heat</a>   | 6  |
| <a href="#">Planning &amp; Preparation</a>   | 6  |
| <a href="#">Acclimatizing Your Product</a>   | 6  |
| <a href="#">Planning Your Installation</a>   | 6  |
| <a href="#">Surface Preparation</a>  | 7  |
| <a href="#">Installation Guidance</a>  | 7  |
| <a href="#">Installing Trusscore SlatWall with Trusscore Wall&amp;CeilingBoard</a>           | 7  |
| <a href="#">Bottom Connection</a>  | 9  |
| <a href="#">Transitioning Between Trusscore SlatWall and Trusscore Wall&amp;CeilingBoard</a> | 9  |
| <a href="#">Installing the Remaining Trusscore SlatWall Panels</a>                           | 10 |
| <a href="#">Side Connection</a>  | 10 |
| <a href="#">Transitioning Between Trusscore SlatWall and Trusscore Wall&amp;CeilingBoard</a> | 10 |
| <a href="#">Installing SlatWall in the Corner of a Room</a>                                  | 11 |
| <a href="#">Top Connection</a>   | 12 |
| <a href="#">Installing Trusscore SlatWall on Its Own</a>                                     | 13 |
| <a href="#">Cleaning</a>   | 15 |
| <a href="#">Specifications</a>   | 16 |
| <a href="#">Trim Dimensions</a>  | 17 |
| <a href="#">Disclaimers</a>  | 17 |

## Warranty

For more information on product warranty please visit [trusscore.com/warranty](https://trusscore.com/warranty)

# Congratulations on your decision to use Trusscore SlatWall!









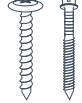
You have officially taken the first step towards the organized space you've always dreamed of. If this is your first time installing Trusscore products, or even if you have plenty of Trusscore installation experience, be sure to familiarize yourself with this guide. It's filled with tips, time-saving suggestions, and a few must-dos that will make your installation successful.

Let's get started.

## Materials Required

Before starting any project, it's important to have the right materials on-site. In the table below, we've made it easy for you to double check that you have the material types you need for two of the most common Trusscore SlatWall installation configurations.

 Material quantities associated with items in the table below are determined by the scope, size and details of your project.

| Material  | <br>SlatWall + Wall&CeilingBoard<br>Integrated Installation | <br>SlatWall-Only Installation | Details  |
|---|--|--|--|
| Trusscore SlatWall panels<br>          | ✓  | ✓  |  |
| Trusscore Wall&CeilingBoard panels<br> | ✓  | ✗  | See <a href="#">Trusscore Wall&amp;CeilingBoard Installation Guide</a> for detailed instructions   |
| H Channel Snap-In Trim kit<br>         | ✓  | Optional based on installation configuration   | When installing adjacent 8' panel lengths in SlatWall only installations, H Channel trim is used as a transition between panels                          |
| J Trim (1/2")<br>                      | ✗  | ✓  | While 1/2" J Trim may be required for Wall&CeilingBoard installation, no additional 1/2" J Trim is required to integrate SlatWall with Wall&CeilingBoard |
| J Trim (3/4")<br>                      | ✗  | ✓  |  |
| Top Cap<br>                            | ✗  | ✓  |  |
| Fasteners<br>                          | ✓  | ✓  | See <a href="#">Fastening section</a> below for details  |

## Tools Required



Tape measure



Tin snips



Ladder



Stud finder



Drill or screw gun



Safety glasses



Level



Power saw



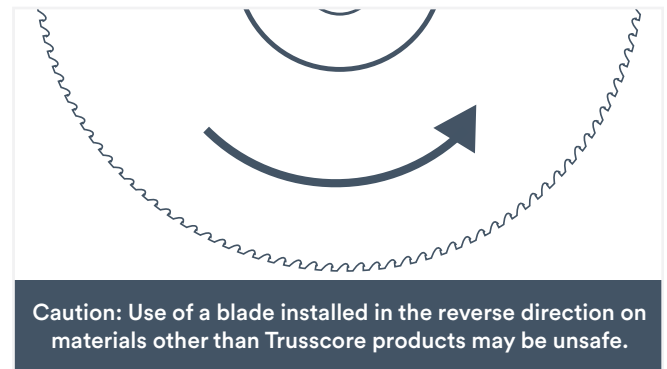
Face mask

## General Recommendations

### Cutting

As a simple method of eliminating cracking or chipping Trusscore SlatWall, the use of a concrete/masonry blade when cutting SlatWall panels is recommended. Alternatively, a fine-tooth blade (12 to 16 teeth per inch) installed in the reverse direction can be used.

In cold weather, move the saw through the material slowly to prevent chipping or cracking (Fig. 1). Performing a test cut will allow you to confirm the performance of your cutting tool without impacting your project. For your safety, safety goggles and a face mask should be worn while using a power saw.



Caution: Use of a blade installed in the reverse direction on materials other than Trusscore products may be unsafe.

Fig. 1

### Fastening

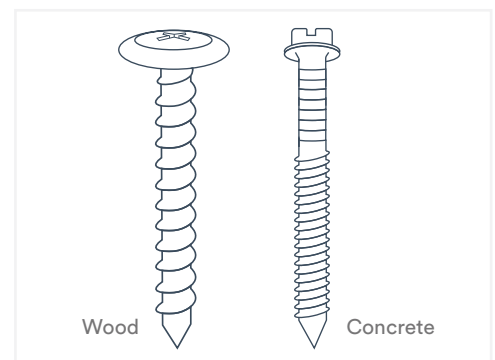
Trusscore SlatWall is designed to be installed with screws. Use only corrosion-resistant (galvanized, stainless steel or aluminum) screws with a minimum head diameter of 3/8".



Do not use nails or staples to fasten Trusscore SlatWall panels.

#### Recommended Fasteners

- **Wood** – #10 X 1-1/4" Truss or Pancake Head screws
- **Concrete** – 3/16" x 1-1/4" Flathead screw (Tapcon)
- **Metal studs** – Make sure to use self-tapping screws instead of wood screws



If installing Trusscore SlatWall over drywall, screws should be 1-3/4" to 2" long. If furring strips or strapping are part of your installation, screws should be 2-1/2".



Failure to follow fastening instructions may damage the panel and/or void the warranty.

## Fastening Tips

- **Do not over-tighten fasteners. If fasteners are installed too tightly, consecutive SlatWall panels may become difficult to interlock**
- Trusscore SlatWall panels should only be installed horizontally
- Before fastening a panel, ensure that the panel has achieved a proper interlocking connection with the previously installed board along its entire length
- Allow a minimum of 1/16" (about the thickness of a dime) between the back of the fastener head and the screw flange (Fig. 2)
- Always fasten in the center of the screw flange slots. Fastening at the end of the slots can cause the panels to buckle or distort (Fig. 3)
- Screws must be installed straight and level to allow for movement (Fig. 4)
- All panels must be allowed to slide freely after fastening to allow for expansion and contraction
- Fasteners should penetrate a minimum of 1" into solid backing
- SlatWall must be fastened every 16" on center to support the full 75 lbs. of load per square foot

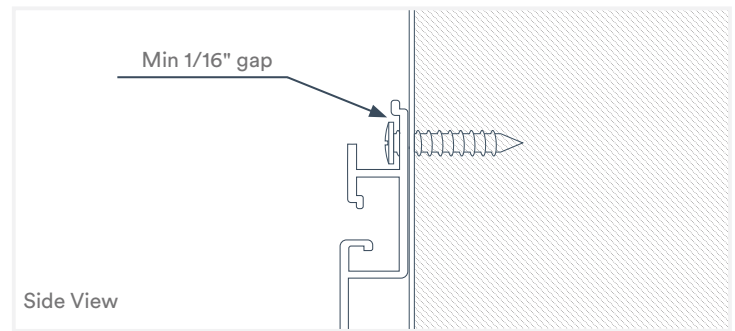


Fig. 2

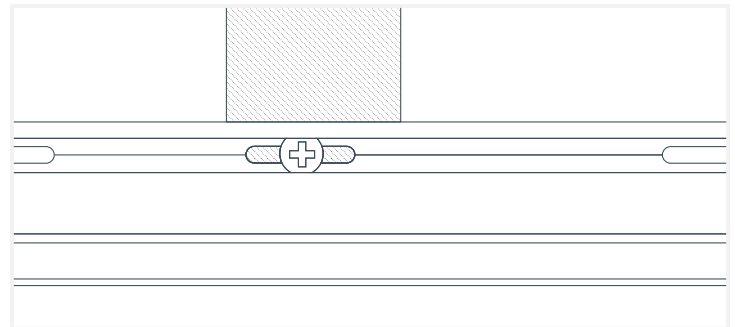


Fig. 3

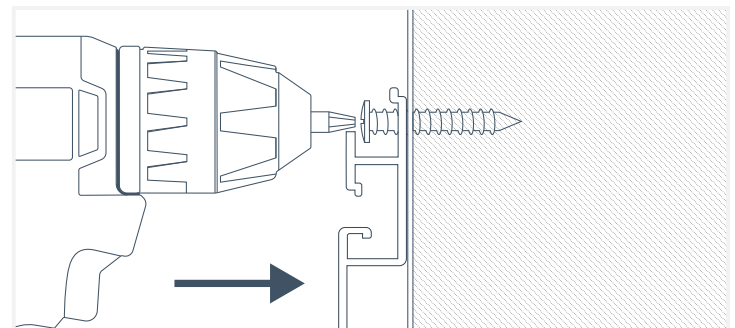


Fig. 4

## Panel Spacing

A minimum of 1/4" clearance must be maintained between both ends of each panel and any adjacent trims or panels to allow for expansion and contraction of the product.

## Trim

- Tin snips are the safest and easiest tool to use when cutting trim. For a cleaner cut, avoid closing the blades fully at the end of each stroke
- Fasteners should be used to secure the trim every 16" with each stud where possible
- If an area requires more than 10' of continuous trim, the trims should be cut square and butted tightly together with silicone sealant applied where the two ends meet
- To create a water-tight corner at door and window openings, insert a small bead of silicone caulking on the channel opening of trim pieces before installing panels

## Use of Silicone Sealant

A one-part, neutral cure silicone sealant is recommended for use in sealing corners and around fixtures, as well as repairing small holes. Test any silicone sealant on an inconspicuous area or off-cut and, once the silicone sealant is dry, inspect the test area for desirable results before proceeding.

## Radiant Heat

All sources of radiant heat must be shielded and located with a minimum of 24" clearance between a heating unit and Trusscore SlatWall. Consult the manufacturer of any heater for further guidelines regarding any necessary shielding and clearances prior to installing the unit.

## Planning & Preparation

### Acclimatizing Your Product

Prior to installation, Trusscore SlatWall must be placed in the environment where it will be installed for a minimum of 24 hours. This will minimize the amount of expansion and/or contraction that may occur after the product is installed and will ensure the best possible installation quality.

Be sure to loosen or remove any packaging material that may restrain the product while it is acclimatizing.

### Planning Your Installation

When planning your Trusscore SlatWall installation, it is important to note the following key considerations.

- Trusscore SlatWall requires a sound structure (e.g. wood studs or masonry walls) to support the weight of the panels and anything you choose to hang from them. Ensure the structure on which Trusscore SlatWall will be installed is both strong and stable in order to support the system for the duration of its use
- In general, one must account for the fact that SlatWall panels overlap each other when in an installed position. The total height of a SlatWall panel is 7-1/8", and the exposed face of each panel after installation is 5-7/8"
- When transitioning from Trusscore Wall&CeilingBoard to Trusscore SlatWall, the bottommost SlatWall panel will overlap the Wall&CeilingBoard panel by approximately 1-1/4". Taking this overlap into account is key to accurately planning for the height of your SlatWall installation. The overlap applies to both horizontal (Fig. 5) and vertical (Fig. 6) Wall&CeilingBoard installation orientations

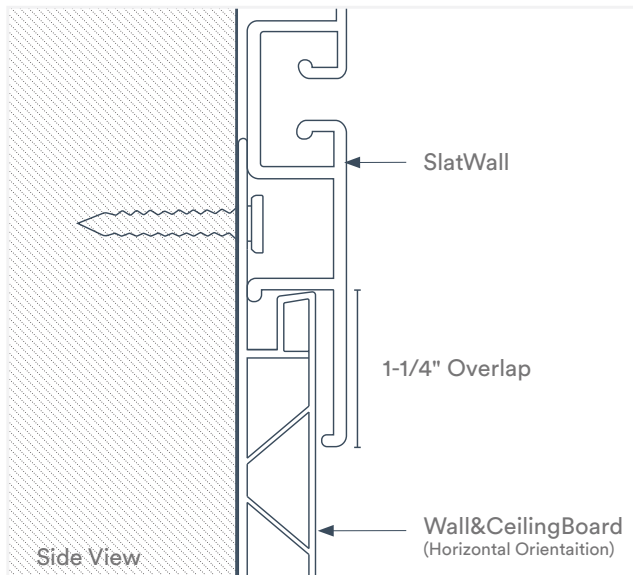


Fig. 5

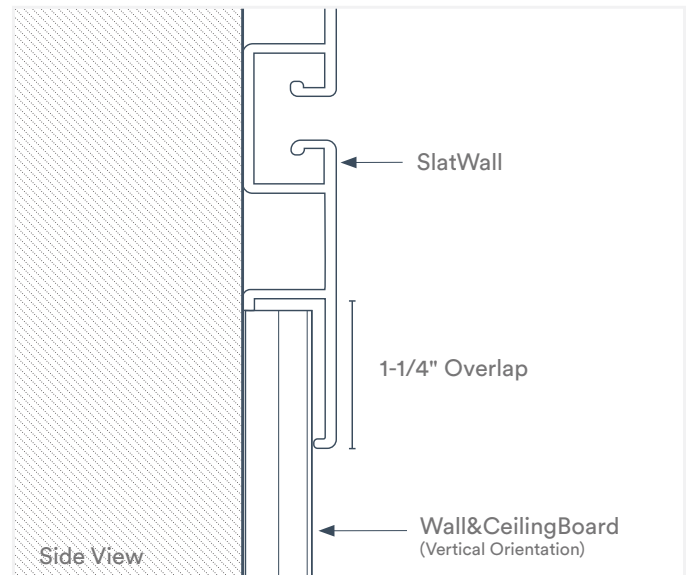


Fig. 6

When using a Top Cap trim to complete the top of your SlatWall installation area, ensure there is a minimum clearance of 1/2" between the top of your final SlatWall panel and any adjacent surface, such as a ceiling.

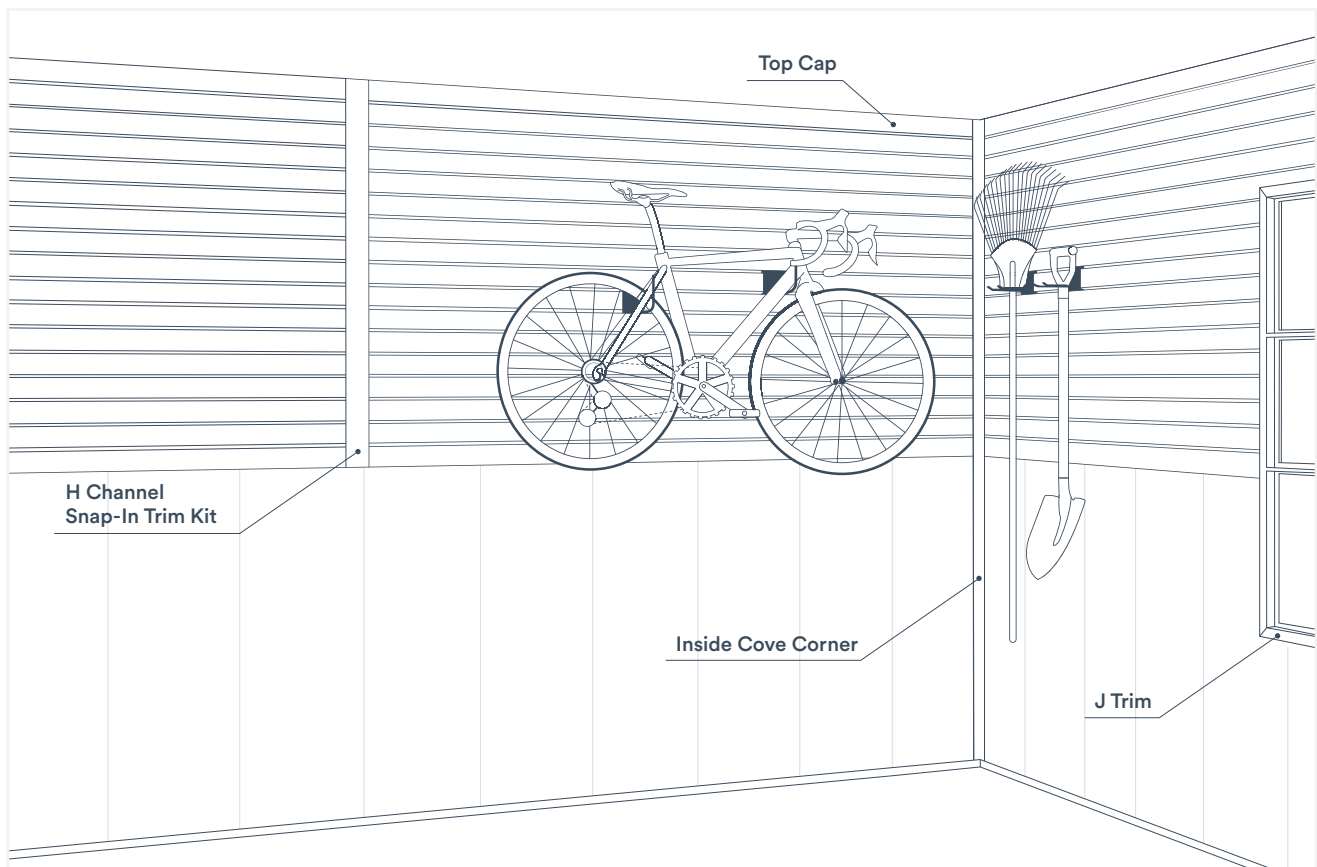
## Surface Preparation

- Check surfaces for straightness and install furring strips or strapping where necessary
- Ensure all insulation and vapor barriers are installed according to your local building code prior to installing Trusscore SlatWall
- For added support/coverage around all door and window openings to properly support trims, install wood blocking (short pieces of lumber) between studs where necessary
- SlatWall panels must start fastened to a stud, and finish fastened to a stud. Studs should be no more than 16" on-center apart to support the full load rating of Trusscore SlatWall (75 lbs. of load per square foot). If SlatWall will be installed over drywall or another material affixed to the studs, you must locate and mark each stud using a stud finder prior to beginning installation
- Prior to the installation of Trusscore SlatWall, it is recommended that the building is fully enclosed, heating and/or cooling equipment is in operation, and residual moisture from construction has been removed from the work space

## Installation Guidance

### Installing Trusscore SlatWall with Trusscore Wall&CeilingBoard

Trusscore SlatWall integrates seamlessly with Trusscore Wall&CeilingBoard. This section will walk you through the installation process of integrating the two products in your project.



Planning and preparing your desired installation space are necessary first steps. Please refer to the [Planning & Preparation](#) section of this installation guide.

Establish the placement and layout of the Trusscore SlatWall installation area.

1. Refer to the image below for the recommended installation layout (Fig. 7) and appropriate spacing measurements (Fig. 8). It is critical to leave adequate spacing between Wall&CeilingBoard panels and the SlatWall panel area for the H Channel Snap-In Trim. Suggested spacing is the same for both horizontal and vertical Trusscore Wall&CeilingBoard install orientations.

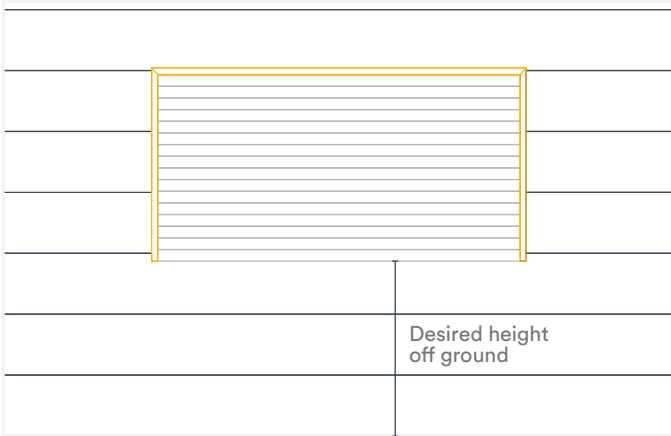


Fig. 7

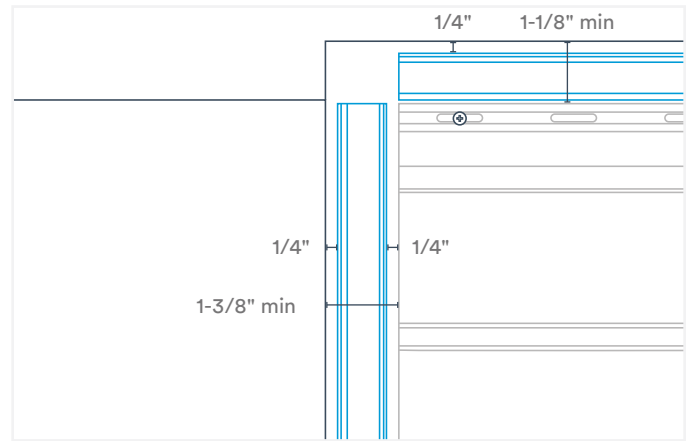


Fig. 8

Trusscore Wall&CeilingBoard    
  Trusscore SlatWall    
  H Channel Snap-In Trim    
  U Channel Base

Inside the SlatWall installation area, locate and mark each wall stud using a stud finder (Fig. 9). Use a level and a pencil to mark each stud from the top to the bottom of your installation area, ensuring each line is plumb (Fig. 10).

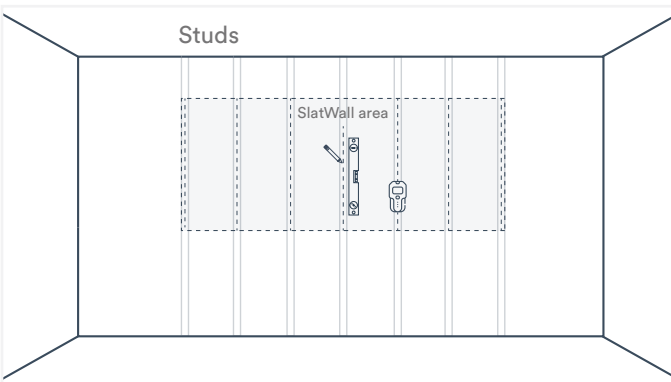


Fig. 9

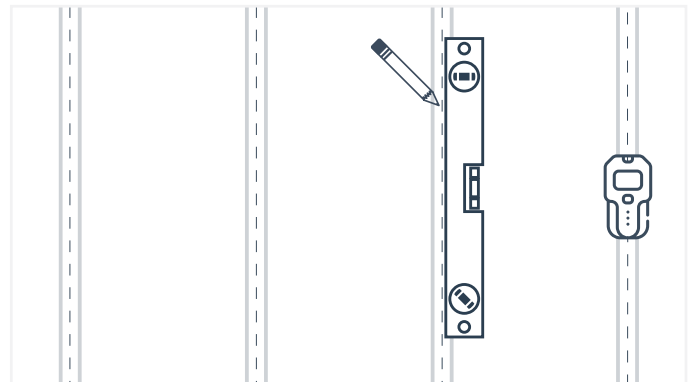


Fig. 10

**!** Trusscore SlatWall panels must start fastened to a stud, and finish fastened to a stud. Each SlatWall panel must also be fastened to studs every 16" on-center minimum in order to support up to 75 lbs per square foot. If stud intervals are greater than 16", the installation of blocking between studs may be required to provide sufficient support to the SlatWall panels, trim and any adjacent Trusscore Wall&CeilingBoard panels if applicable.

2. Install your Trusscore Wall&CeilingBoard panels, leaving an opening for your SlatWall installation as determined by the spacing guidance provided in Step 1 (Fig. 11).

**For detailed installation instructions and more information about Trusscore Wall&CeilingBoard installation, please see our [Trusscore Wall&CeilingBoard Installation Guide](#).**

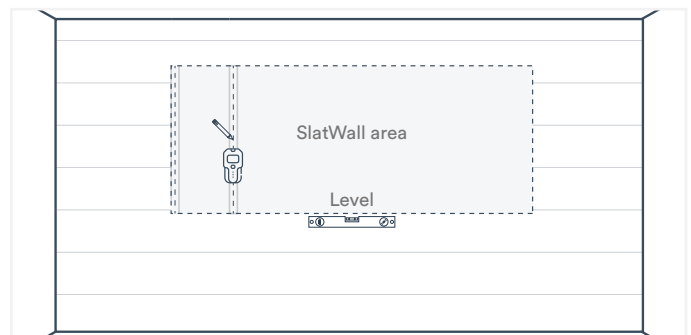


Fig. 11



## Bottom Connection

### Transitioning Between Trusscore SlatWall and Trusscore Wall&CeilingBoard

1. Trusscore SlatWall is designed to easily install directly above vertically and horizontally oriented Trusscore Wall&CeilingBoard panels.

When installing the SlatWall panels in a **vertical** Wall&CeilingBoard install, rest the bottom lip on the back of the SlatWall panel directly on top of the Wall&CeilingBoard panel below it (Fig. 12). Once in place, use a level to ensure it is horizontally level before fastening (Fig. 13).

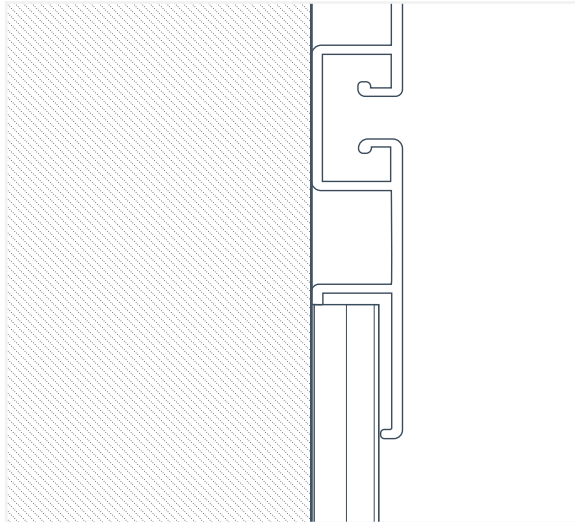


Fig. 12

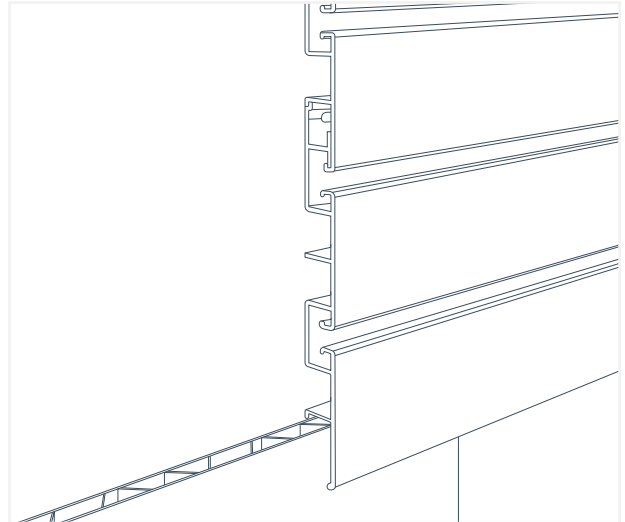


Fig. 13

When installing the SlatWall panels in a **horizontal** Wall&CeilingBoard install, there are two possible installation configurations depending on the intended height of the bottom SlatWall panel from the ground.

- a. The distance from the floor to the bottom of the first SlatWall panel is an even increment of 16" (the width of the exposed face of Wall&CeilingBoard panels). The resulting connection between SlatWall and Wall&CeilingBoard is shown below (Fig. 14).
- b. If the desired distance from the floor to the bottom of the first SlatWall panel is not an even multiple of 16", the Wall&CeilingBoard panel closest to the floor should be ripped to an appropriate width to achieve the desired SlatWall height (Fig. 15). The resulting connection between SlatWall and Wall&CeilingBoard is shown below.

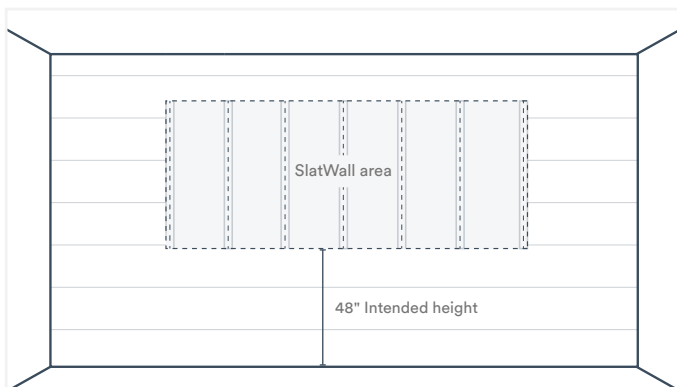


Fig. 14

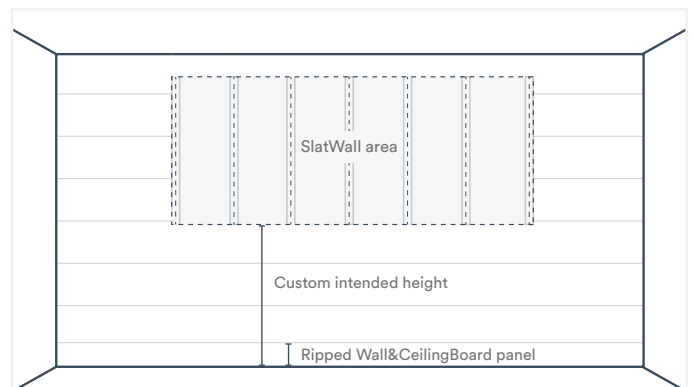


Fig. 15

Please reference the [Trusscore Wall&CeilingBoard Installation Guide](#) for further instruction on ripping Wall&CeilingBoard panels.

2. Prior to installing the first (bottom) panel of SlatWall, use a level to verify that the Wall&CeilingBoard panel you're connecting with has been cut/installed in a level, straight line.
3. If your installation is in a space with strong air movement, place a bead of silicone inside the bottom lip of the SlatWall panel where it meets the Wall&CeilingBoard panel(s) (Fig. 16). This ensures the panel will remain fixed in place. This step is optional.
4. Fasten the SlatWall panel to the wall through the screw flange and into each available stud.



Do not overtighten the screws as this will disrupt the installation of subsequent panels.

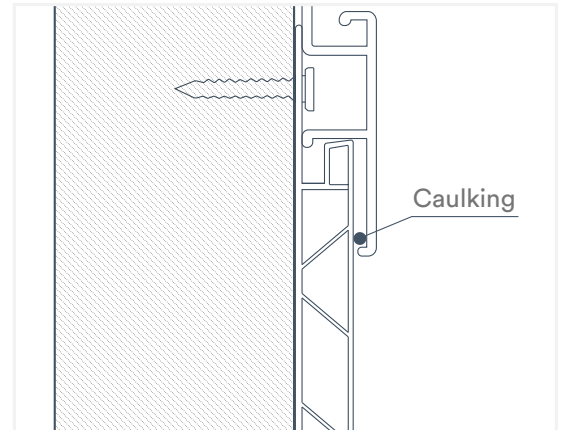


Fig. 16

### Installing the Remaining Trusscore SlatWall Panels

Starting from the bottom, proceed with installing the remaining SlatWall panels.

1. Place a panel on top of the previously installed panel, aligning the ends of both panels (Fig. 17).
2. Starting at one end and moving to the other, apply gentle downward pressure (towards the floor) to interlock the panel with the previously installed panel below. You will feel and hear a "snap" when the panels have properly interlocked together (Fig. 18).
3. Fasten the panel you just placed into position by drilling a fastener (screw) through the slotted screw flanges into each of the studs you marked in an earlier step.
4. Repeat steps 1-3 above step for all remaining panels.

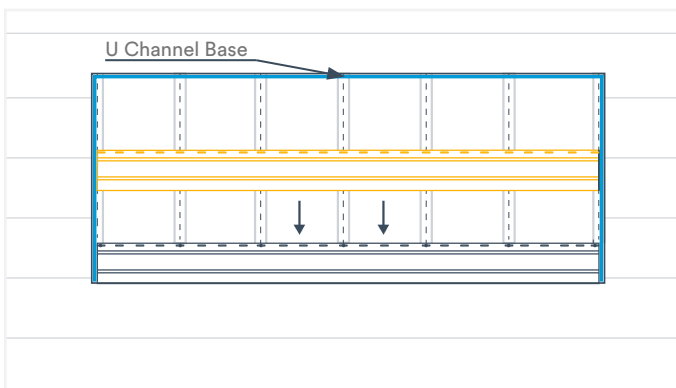


Fig. 17

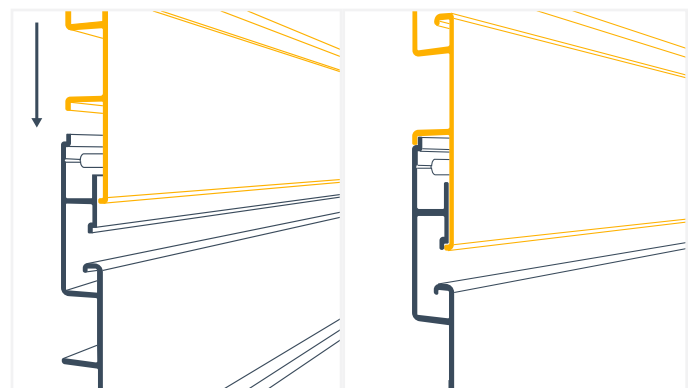


Fig. 18

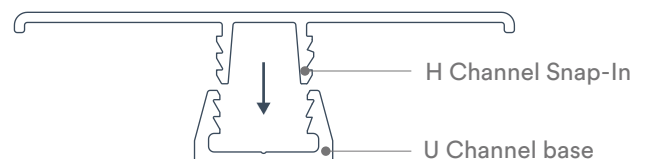
### Side Connection

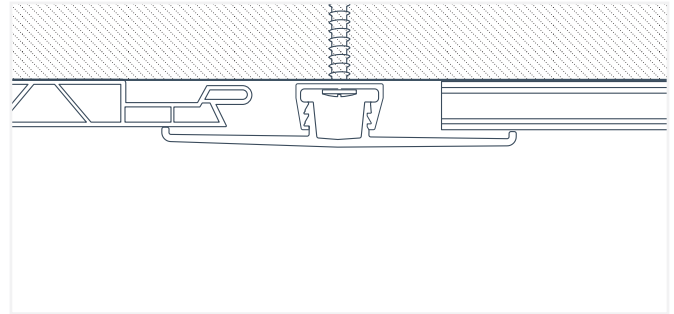
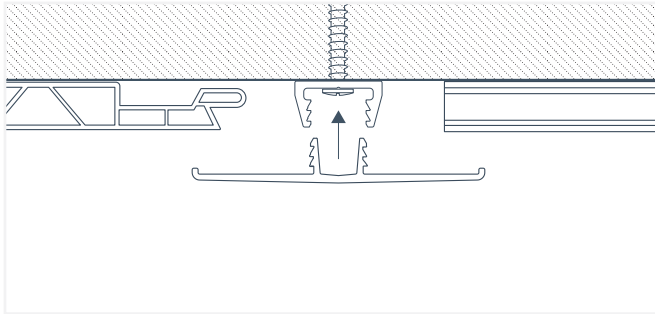
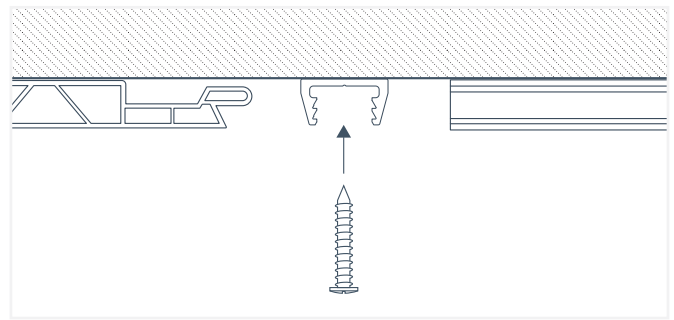
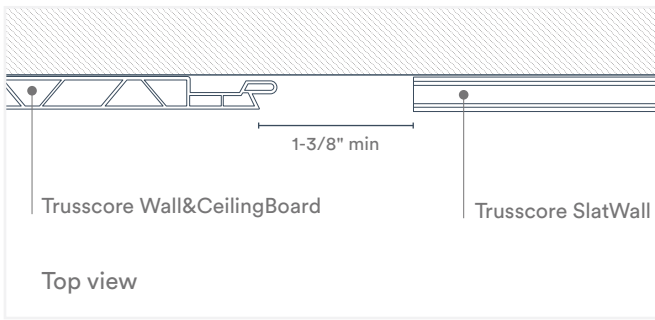
#### Transitioning Between Trusscore SlatWall and Trusscore Wall&CeilingBoard

An **H Channel Snap-In Trim** accommodates the transition between the ends of SlatWall panels and any adjacent Trusscore Wall&CeilingBoard panels.

There are two components to an H Channel Snap-In Trim kit:

- H Channel Snap-In
- U Channel base





**!** Ensure the U Channel Base is removed from the H Channel Snap-In Trim before starting.

1. Using a power saw, cut the end of an H Channel Snap-In Trim at a 45° (mitered) angle. For best results, place the finished face of the trim upwards to perform the cut.
2. Place the H Channel Snap-In Trim up to your installation area and make a mark where it meets the bottom edge of the bottommost SlatWall panel. Cut the H Channel Snap-In Trim square at this mark.
3. Measure and mark 1-1/4" inwards from the bottom edge (end) of the H Channel Snap-In Trim. At the mark, make a vertical snip in both grooved standoffs using tin snips (Fig. 19).
4. Using the tip of the tin snips, remove the remaining stand-off material between your vertical snip and the bottom edge (end) of the trim (Fig. 20). The remaining material should be small enough to allow the H Channel Snap-In piece to sit flush overtop of the Trusscore Wall&CeilingBoard panel below it, without obstruction.

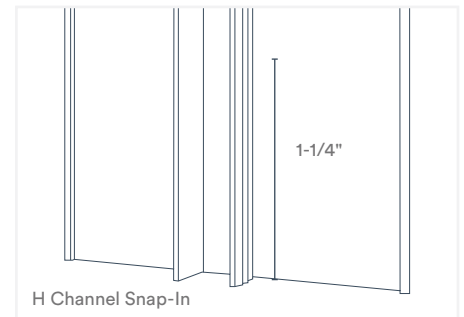


Fig. 19

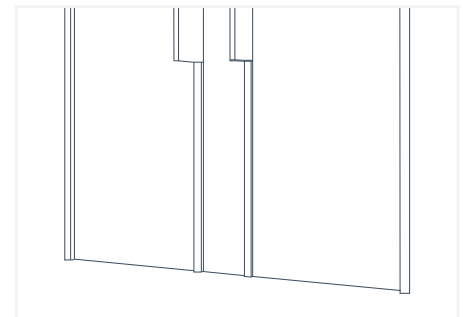
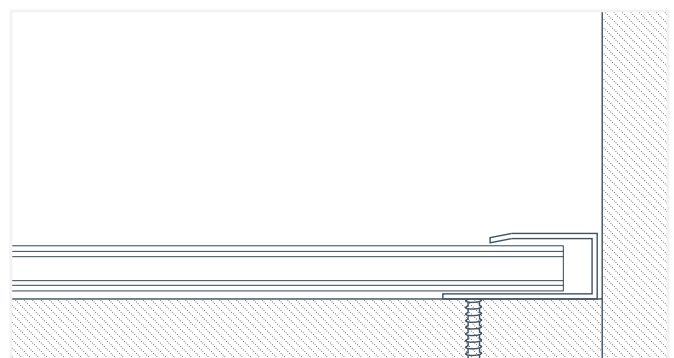
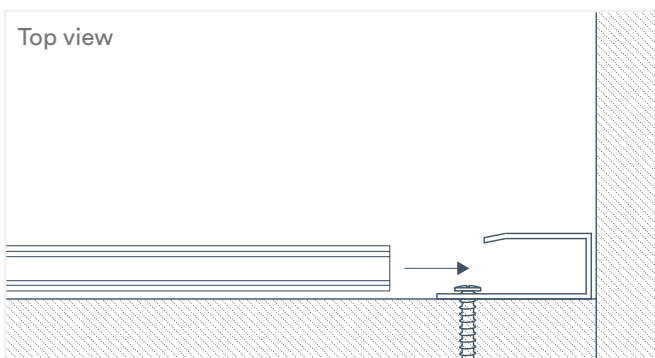


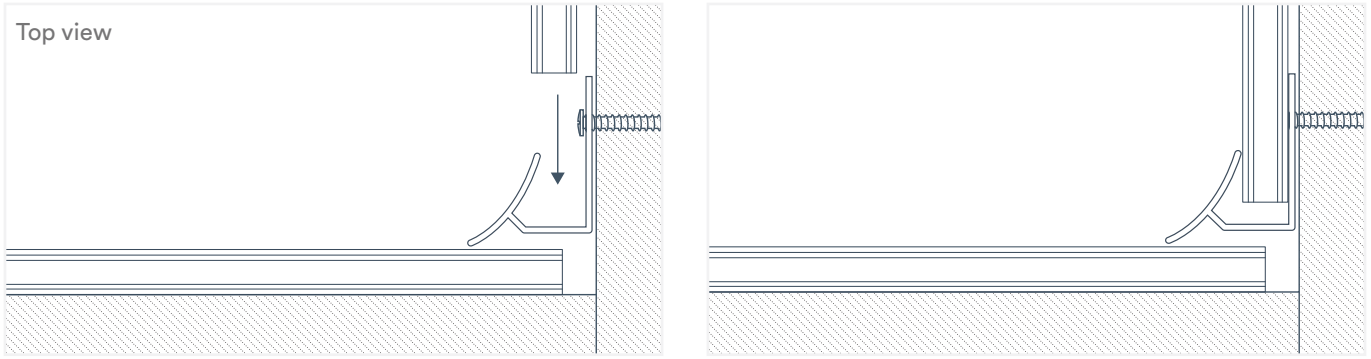
Fig. 20

### Installing SlatWall in the Corner of a Room

#### 3/4" J Trim



## Inside Cove Corner Trim

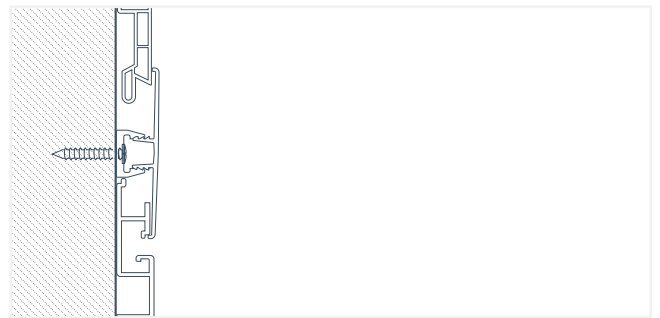
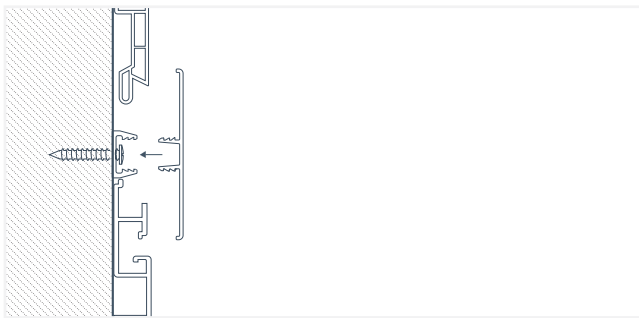
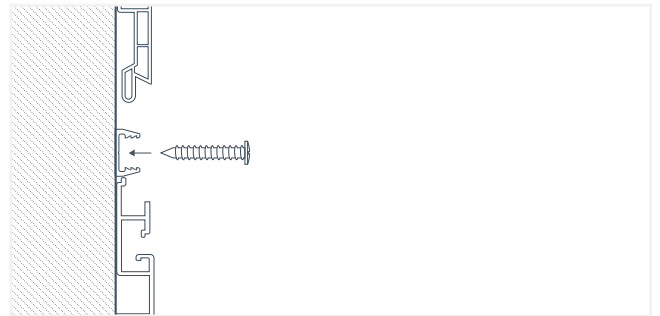
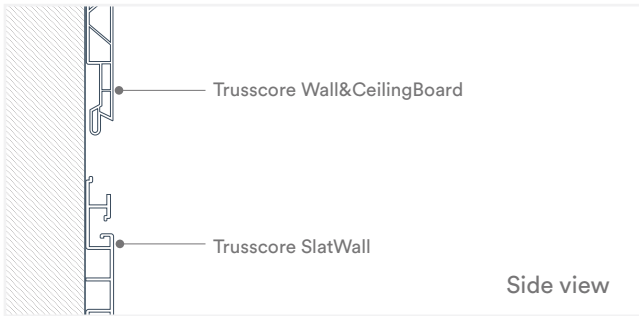
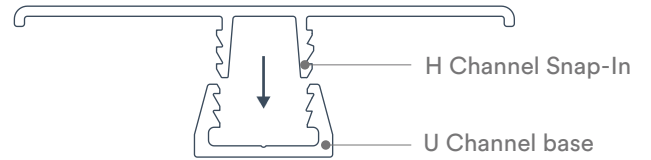


## Top Connection

An **H Channel Snap-In Trim** accommodates the transition between the ends of SlatWall panels and any adjacent Trusscore Wall&CeilingBoard panels.

There are two components to an H Channel Snap-In Trim kit:

- H Channel Snap-In
- U Channel base



1. Position the U Channel base to ensure that when the H Channel Snap-In is inserted in place, the lip at the outer edge of the H Channel Snap-In aligns with the top row groove of the SlatWall panel (Fig. 21). When fastening the U Channel base to the wall, leave a gap of approximately 0.25" (1/4") between the U Channel base and the Wall&CeilingBoard installed above the SlatWall area.

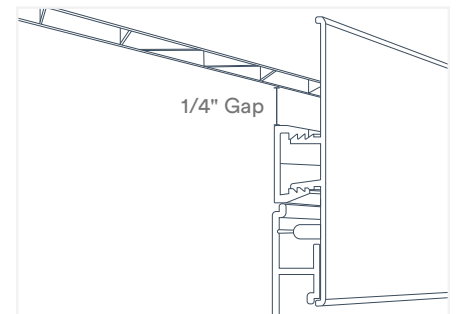


Fig. 21

## Installing Trusscore SlatWall on Its Own

When installing Trusscore SlatWall without the integration of Trusscore Wall&CeilingBoard, we recommend the SlatWall installation area be framed with 1/2" J Trim on the bottom, 3/4" J Trim on each side, and a Top Cap trim will be used to complete the top of the installation. This section will explore that process.

Planning and preparation of your desired installation space is a necessary first step. Please refer to the [Planning & Preparation section](#) of this installation guide, above.

1. Locate and mark the area in which the SlatWall panels will be installed. Use a stud finder to find the first stud which will serve as the edge of your installation area (Fig. 22).
2. Measure from the floor up to the height you wish to start your installation and mark it with a pencil on the studs or surface material (i.e., drywall).
3. Use a level to extend a line across the intended width of your installation (Fig. 23).



Trusscore SlatWall panels should start fastened to a stud, and finish fastened to a stud. Studs should be no more than 16" apart on-center to support the full load rating of Trusscore SlatWall (75 lbs. of load per square foot).

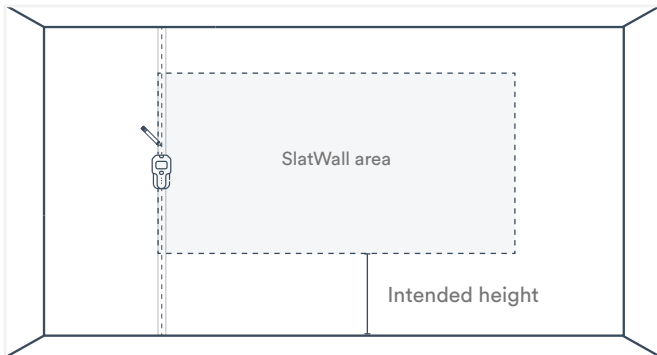


Fig. 22

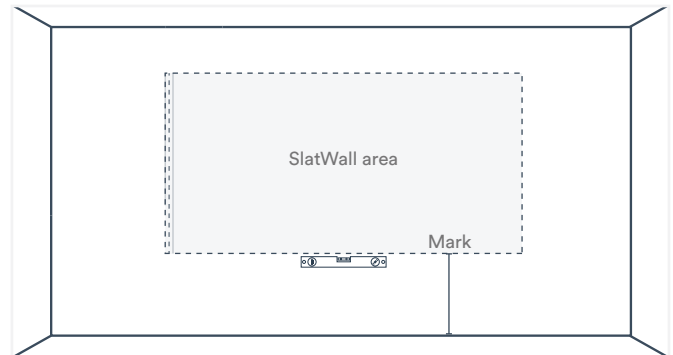


Fig. 23

4. Using a stud finder and a pencil, locate and mark all other wall studs within the installation area (Fig. 24).
5. Use a level to mark the stud from the top to the bottom of the installation area (Fig. 25).

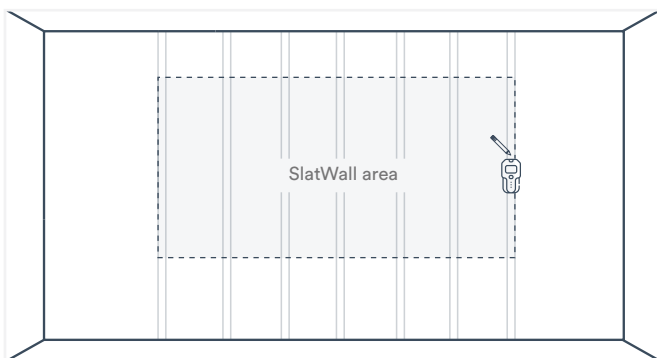


Fig. 24

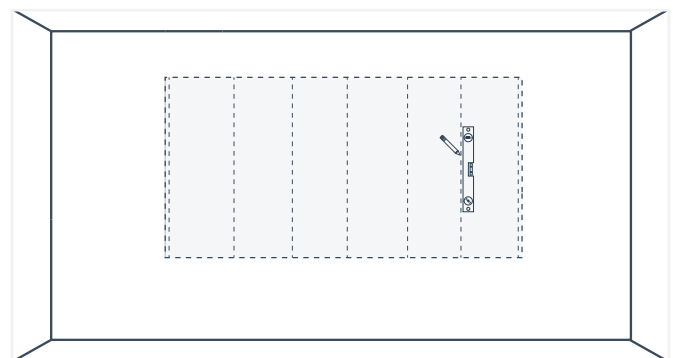


Fig. 25

6. Install the horizontal 1/2" J Trim to the wall. Align the bottom of the J Trim with the horizontal height mark you made in Step 3 (Fig. 26), then fasten it to each middle stud through the screw flange built into the J Trim. Screws should be driven through the trim's screw flange into the studs you marked in Steps 2-5 (Fig. 27).

**Do not fasten the J Trim to the first or last stud at this time.**

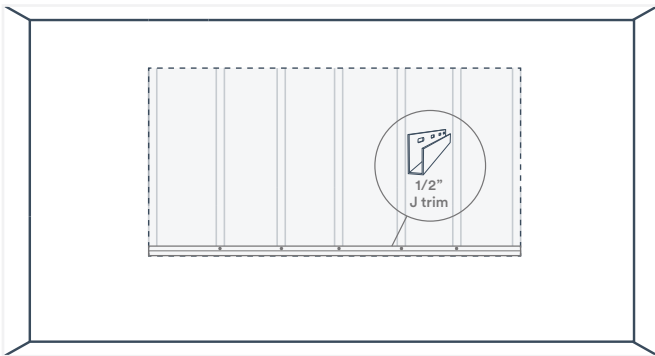


Fig. 26

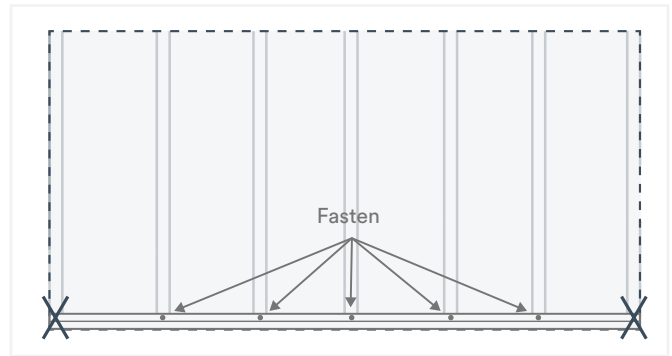


Fig. 27

**!** Do not overtighten the screws. Overtightening may disrupt the proper installation of subsequent panels.

7. Starting at a bottom corner of the installation area, place the vertical J Trim (3/4") so it overlaps the horizontal J Trim (1/2") where the two pieces meet, as shown below (Fig. 28). The result is an aesthetically pleasing corner allowing for both J Trims to be fastened to the same stud. Fasten a screw through both trims where they overlap, directly into the stud. Repeat this process for the other bottom corner of your installation area.
8. Use a level to ensure that the vertical J Trim is plumb and fasten the top corner of the J Trim to the stud to hold it in place. Repeat this process for the other vertical J Trim (Fig. 29).

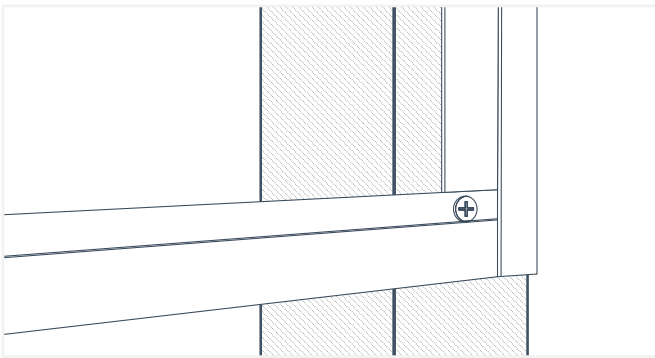


Fig. 28

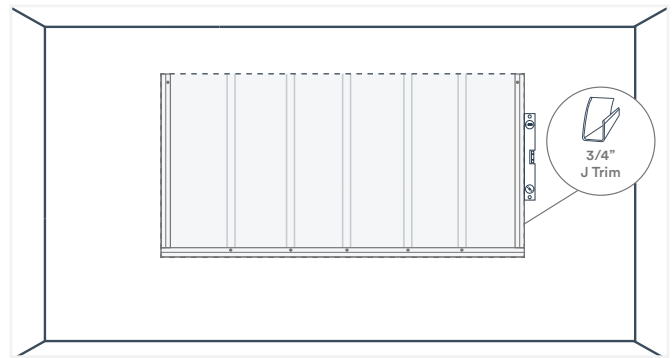


Fig. 29

9. Insert the first SlatWall panel between the two vertical J Trims and slide it down until it fits fully into the bottom J Trim (Fig. 30). Fasten the panel through the slotted screw flange into each stud along the length of the panel (Fig. 31).

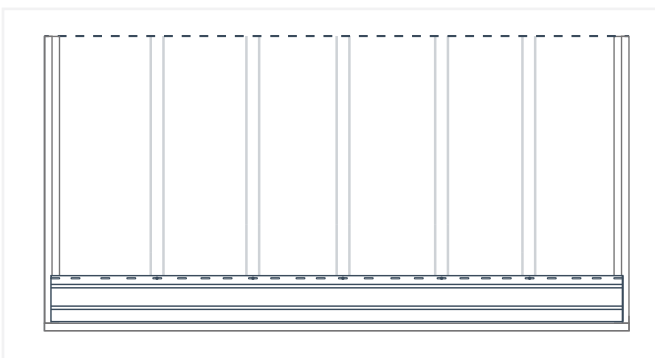


Fig. 30

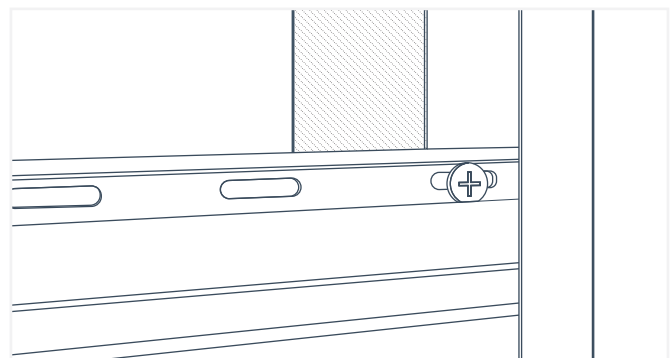


Fig. 31

**!** Ensure the first (bottom) SlatWall panel is seated properly in the J Trim to avoid obstruction caused by the fasteners used to secure the J Trim.

10. Fasten the ends of each SlatWall panel to the stud at the point where the panel and J Trim overlap.

Starting from the bottom, proceed with installing the remaining SlatWall panels.

11. Place the next panel on top of the previous one, ensuring both ends of the panel are inserted into the vertical trim channels (Fig. 32). See the next section in this document for more details on trim considerations.

12. Next, apply gentle downward pressure (towards the floor) to interlock the panel with the previously installed panel below. You will feel and hear a "snap" when the panels have properly interlocked together (Fig. 33).

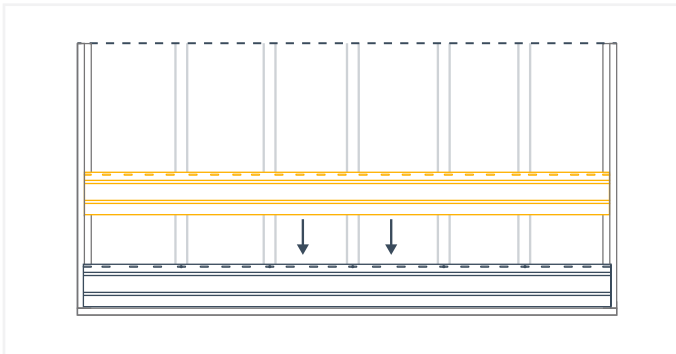


Fig. 32

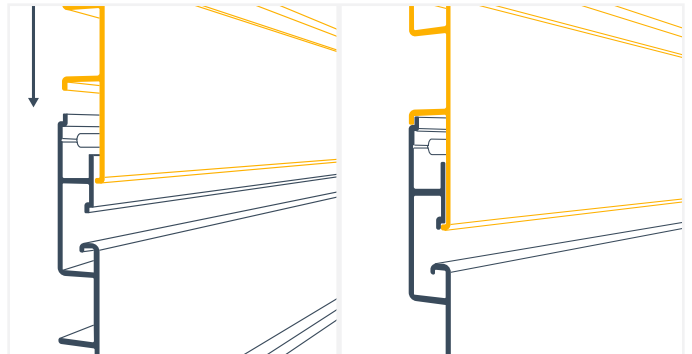


Fig. 33

13. Fasten the panel through the slotted screw flanges into each of the studs you marked in an earlier step, including the ends of each SlatWall panel where it overlaps with the vertical J Trim.

14. Repeat this step for the remaining panels.

15. Place the top lip of the Top Cap into the groove built into the top of the uppermost SlatWall Panel.

16. Snap the bottom lip of the Top Cap into the SlatWall panel as shown (Fig. 34).

17. Overlap the 3/4" vertical J Trim on top of the Top Cap trim to achieve an aesthetically pleasing corner intersection (Fig. 35).

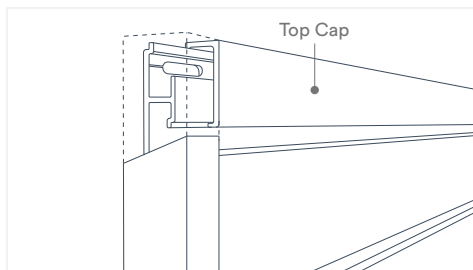
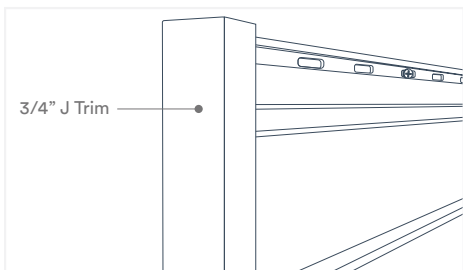


Fig. 34

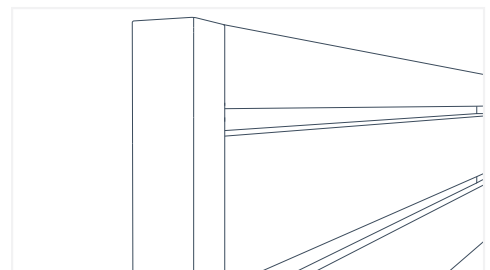


Fig. 35

## Cleaning

Here are some guidelines to help you handle any level of dirt your product encounters:

To remove common dirt and maintain your Trusscore product's beautiful appearance, wash using a sponge or soft cloth and a mild cleaning solution.



Abrasive cleaning pads/cloths should not be used as they could scratch or alter the surface of the product.

If the dirt is difficult to remove, wipe clean with a solution of:

- 1/3 cup laundry detergent (e.g. Tide®)
- 2/3 cup tri-sodium phosphate (e.g. TSP®)
- 3.79 L (1 gallon) of water

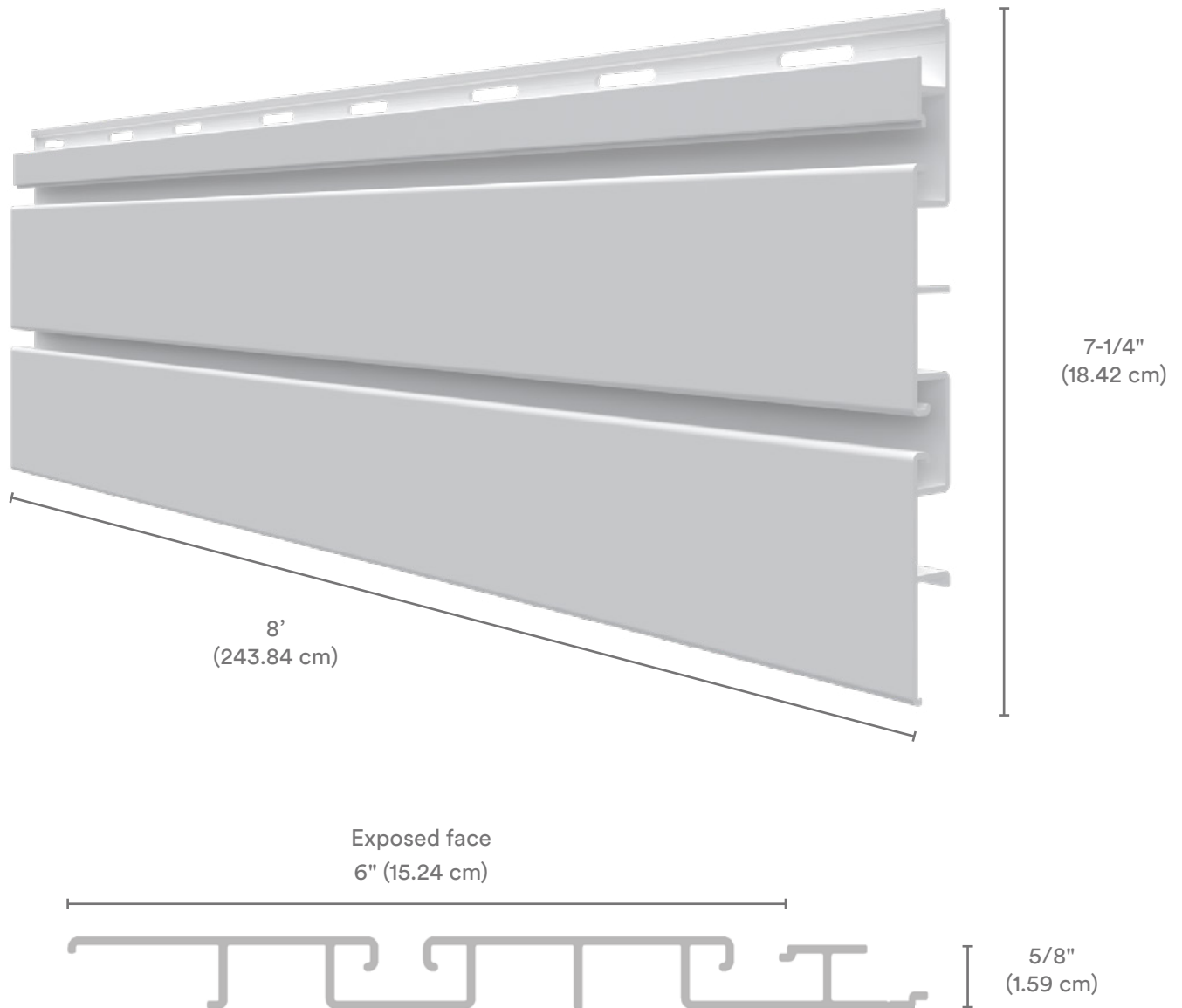
Swiffer® Dusters™ are very helpful in removing dust from Trusscore Wall&CeilingBoard.

Mr. Clean® Magic Erasers™ can be used to remove marks on Trusscore Wall&CeilingBoard.

## Specifications

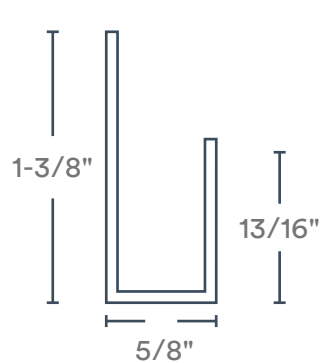
Trusscore SlatWall is available in 8' lengths and is available in white and gray (Pantone 427 CP).

If installed on studs spaced 16" on-center, Trusscore SlatWall supports up to 75 lbs. per square foot of load.

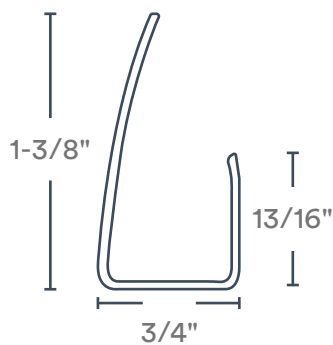




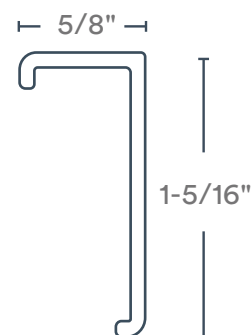
## Trim Dimensions



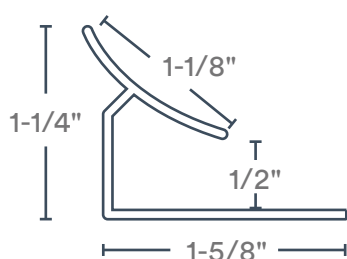
1/2" J Trim



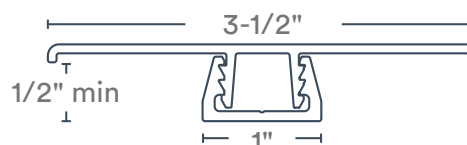
3/4" J Trim



Top Cap



Inside Cove Corner



H Channel  
Snap-In kit

## Disclaimers

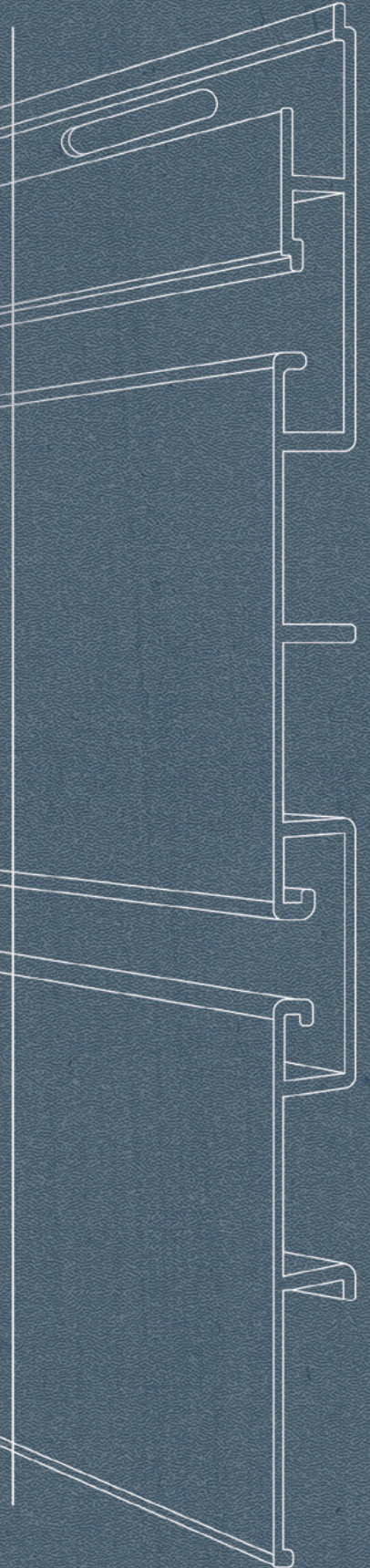
The manufacturer is not responsible for problems related to expansion due to temperature fluctuations. If wide temperature fluctuations exist in the area of the Trusscore installation, allow for expansion and contraction gaps in moldings and perimeter. Before installation, Trusscore SlatWall panels and trims as well as any additional Trusscore products involved in the installation should be properly acclimatized to minimize expansion and contraction issues.

As part of our focus on continuous innovation, Trusscore leverages advancements in material science to improve the performance and environmental impact of our products. Through the use of zero wastewater production processes, incorporation of recycled material in our products, and commitment to using raw materials with low environmental impact we are developing more sustainable building products.

Our drive to continually develop better looking, better performing, and more sustainable products can result in minor changes to the color and texture of our products when compared to previously manufactured products. Therefore, install products of the same package and/or pallet when completing your project to ensure the best possible results to minimize any minor variations.



[trusscore.com](https://trusscore.com)



**Learn more about Trusscore**

[trusscore.com](https://trusscore.com) | [hello@trusscore.com](mailto:hello@trusscore.com) | 1.888.418.4679

Copyright © 2021 Trusscore Inc. Trusscore is a trademark of Trusscore Inc. All other trademarks are the property of their respective owners.  
Specifications are subject to change. T-IG102-004 07/2021