



# 2021 OUTDOOR LIGHTING BROCHURE



# Trex® Outdoor Lighting™



## Meet the light of the party

With the right light, you can take any outdoor space from invisible to inviting. That's why Trex® offers a range of lighting options that cast a warm glow on various deck areas—from stairs to railing posts to deck perimeters.

Trex® OutdoorLighting™ enhances curb appeal with energy-efficient illumination that makes for safer nighttime strolls and impressive deckside ambience. Best of all, the lights install in a snap and disappear into their surroundings for a truly sophisticated look.

### HIGH PERFORMANCE

- » Energy-efficient CREE® LEDs give off long-lasting illumination\*
- » Dimmable glow matches the mood of any outdoor party or dinner
- » Remains weather-proof and salt-air resistant in the toughest climates
- » Offers total lighting control via timer and optional dimmer with remote

### PERENNIAL BEAUTY

- » Sophisticated fixtures create custom lighting effects and designs
- » Ambient light improves the safety of surfaces and stairways
- » Out of sight during the day, beautiful light every night
- » Available in a variety of colors to complement any outdoor space

### TREX® THROUGH AND THROUGH

- » Part of a complete Trex package
- » Trex LightHub® connection system makes set-up a snap for DIYers
- » Easily builds into new decks or retrofits into existing ones
- » Earth-friendly LEDs are up to 9.1 times more efficient than incandescent lighting
- » Protected under warranty for years of outdoor use\*\*

Set up and control your deck lights with the Trex LightHub connection system. Installation videos are available at [trex.com](http://trex.com)



### Top to bottom brilliance

Lit at every level, courtesy of post cap lights, stair riser lights and recessed deck lights.



### Step by step

Stair riser lights illuminate just where they need to, creating safe, beautiful pathways.

\*CREE® is a registered trademark of Cree, Inc.

\*\*For the terms of warranties on Trex® OutdoorLighting™, see page 14 or visit [trex.com](http://trex.com)



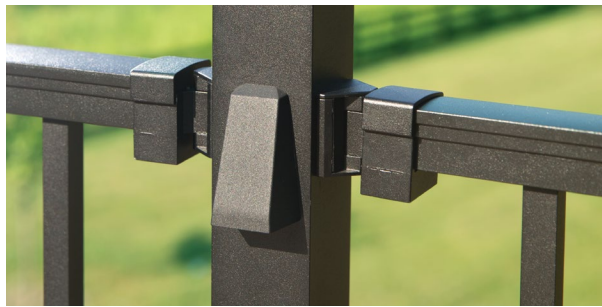
**POST CAP LIGHT**

Tucked discreetly under the cap, post cap lights provide a warm downward glow and easy wayfinding.



**STAIR RISER LIGHT**

Installed into step risers, these lights are durable enough to handle years of passing foot traffic.



**WEDGE DECK RAIL LIGHT**

Sleek and understated, this versatile post lamp can be installed on 2.5-inch aluminum posts as well as composite sleeves.



**DECK RAIL LIGHT**

These indirect lights reside directly on the rail post to illuminate the beautiful deck below.



**RECESSED DECK LIGHT**

These subtle dot lights install flush on the deck boards to efficiently light the way.



**ALUMINUM POST CAP LIGHT**

Shining in all directions, aluminum post cap lights work seamlessly with Trex Signature® 2.5-inch aluminum posts.

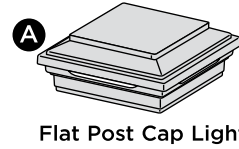


Trex® Outdoor Lighting™

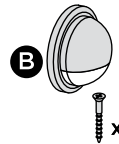
| LIGHTING & DESCRIPTION   | ITEM NUMBER  |
|--|--|
| <b>DECK LIGHTING</b>   |  |
| <p><b>Flat Post Cap Light</b></p> <ul style="list-style-type: none"> <li>» 4" x 4" LED Post Cap Light<br/><i>[4.55 in x 4.55 in (115 mm x 115 mm) actual internal dimensions]</i></li> <li>» Use with Trex 4 in Composite Railing Posts</li> <li>» 5.5 ft (1.67 m) Male LightHub® Lead</li> </ul> <p><b>Aluminum Post Cap Light</b></p> <ul style="list-style-type: none"> <li>» 2.5" x 2.5" LED Aluminum Post Cap Light<br/><i>[2.6 in x 2.6 in (66 mm x 66 mm) actual internal dimensions]</i></li> <li>» Use with Trex 2.5 in Aluminum Railing Posts</li> <li>» 5.5 ft (1.67 m) Male LightHub Lead</li> </ul> | <p><b>FLAT CAPS</b></p> <p>BKSQLED4X4C<br/>WTSQLED4X4C<br/>THSQLED4X4C<br/>VLSQLED4X4C<br/>GPSQLED4X4C<br/>RSSQLED4X4C<br/>TEXTURED CHARCOAL BLACK: BKALCAPLED25<br/>TEXTURED BRONZE: BZALCAPLED25<br/>TEXTURED WHITE: WTALCAPLED25</p>            |
| <p><b>Deck Rail Light</b></p> <ul style="list-style-type: none"> <li>» LED Deck Rail Light<br/><i>[2.75 in (69 mm) OD]</i></li> <li>» 5.5 ft (1.67 m) Male LightHub Lead</li> </ul> <p><b>Wedge Deck Rail Light</b></p> <ul style="list-style-type: none"> <li>» LED Wedge Deck Rail Light<br/><i>[1.875 in wide x 3 in high (47 mm x 76 mm) actual dimensions]</i></li> <li>» Compatible with all Trex Railing Posts</li> <li>» 5.5 ft (1.67 m) Male LightHub Lead</li> </ul>   | <p>TEXTURED CHARCOAL BLACK: BKLAMPLEDC<br/>TEXTURED BRONZE: BZLAMPLEDC<br/>TEXTURED CLASSIC WHITE: WTLAMPLEDC</p> <p>TEXTURED CHARCOAL BLACK: BKALPOSTLAMPLED<br/>TEXTURED BRONZE: BZALPOSTLAMPLED<br/>TEXTURED CLASSIC WHITE: WTALPOSTLAMPLED</p> |
| <p><b>LED Riser Lights</b></p> <ul style="list-style-type: none"> <li>» 4 LED Riser Lights<br/><i>[1.25 in (31 mm) OD]</i></li> <li>» 5.5 ft (1.67 m) Male LightHub Lead</li> </ul>  | <p>TEXTURED CHARCOAL BLACK: BKRISERLED4PKC<br/>TEXTURED BRONZE: BZRISERLED4PKC<br/>TEXTURED CLASSIC WHITE: WTRISERLED4PKC</p>  |
| <p><b>Recessed Deck Lights</b></p> <ul style="list-style-type: none"> <li>» 4 LED Recessed Lights<br/><i>[1 in (25 mm) OD]</i></li> <li>» 5.5 ft (1.67 m) Male LightHub Lead</li> </ul>  | <p>RECESSLED4PKC</p>   |
| <b>ACCESSORIES</b>   |  |
| <p><b>Transformer with Timer</b></p> <ul style="list-style-type: none"> <li>» Output Voltage: 12VDC</li> <li>» Output Power: 100W or 30W</li> <li>» Output Current: 8.3A or 2.5A</li> <li>» Photo-Activated Timer</li> <li>» 20 ft (6.09 m) LightHub Wire Extension Cable</li> </ul>   | <p>8.3A, 100W: DIMMABLE 83DLTRANSFORMERC<br/>2.5A, 30W: 25DLTRANSFORMER</p>  |
| <p><b>Multi-zone Transformer Adapter</b></p>   | <p>DL5TFSPPLIT1PK</p>  |
| <p><b>Dimmer</b></p> <ul style="list-style-type: none"> <li>» Single Channel with Remote</li> </ul>  | <p>DLDIMMER</p>  |
| <p><b>1 in (25 mm) Forstner Bit—Pack of 6</b></p>  | <p>DLBIT6PK</p>  |
| <p><b>LightHub Accessories</b></p> <ul style="list-style-type: none"> <li>» 3-Way Splitter</li> <li>» 6-Way Splitter</li> <li>» 5 ft (1.52 m) Wire Extension Cable</li> <li>» 10 ft (3.04 m) Wire Extension Cable</li> <li>» 20 ft (6.09 m) Wire Extension Cable</li> <li>» 40 ft (12.19 m) Wire Extension Cable</li> <li>» 60 ft (18.28 m) Wire Extension Cable</li> <li>» Female to Female Adapter</li> </ul>  | <p>DL3SPLIT6PK<br/>DL6SPLIT4PK<br/>DL5FTWR4PK<br/>DL10FTWR4PK<br/>DL20FTWR4PK<br/>DL40FTWR2PK<br/>DL60FTWR1PK<br/>DLFADAP6PK</p>   |

# TREX® DECKLIGHTING™ INSTALLATION INSTRUCTIONS

## PARTS



Flat Post Cap Light



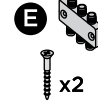
Deck Rail Light



Riser Light



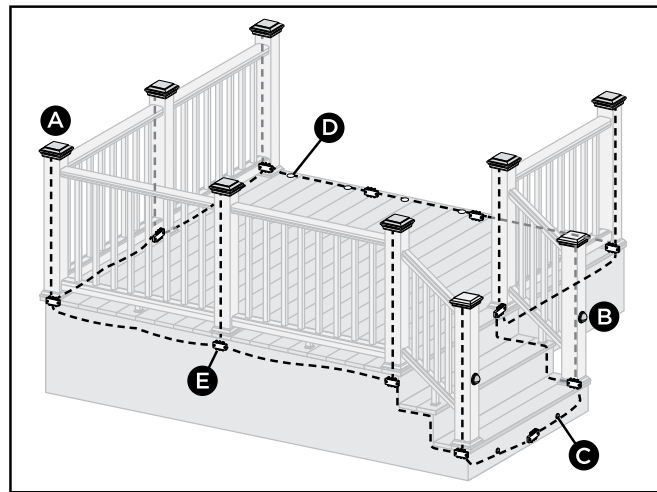
Recessed Deck Light



Splitter

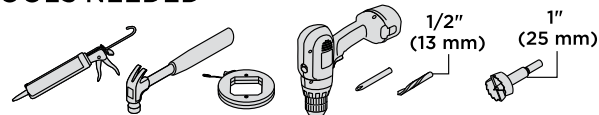
» 5ft, 10ft, 20ft, 40ft, and 60ft connection/extension wires sold separately (these are male-to-male connection wires).

## Lighting and Wiring Overview



**NOTE:** All wiring and splitters are mounted to the inside of framing. Picture above is a general representation of where to place them.

## TOOLS NEEDED



## WARNING:

- » Do not install Decklighting in close proximity to pools or hot tubs, as chemicals from the water can damage lighting fixtures.
- » Do not install wiring under heavy weight or load as this can damage wiring.

**NOTE:** Avoid railing brackets and locations for deck rail lights when running wires up posts.

**NOTE:** It is recommended that you install wiring and splitters before decking and railing have been installed. **DO NOT** run wires between joists and deck boards.

## Helpful Tips

- » Please note that Trex lighting operates on DC power. **NEVER** mix AC and DC fixtures on the same circuit. Doing so will result in extremely premature fixture failure and is not covered by the Trex limited warranty. **You must use a Trex transformer on all Trex lighting installations.**
- » **Never fully drive staples when securing wire. Wire should move under staple.**
- » **ALWAYS** protect any wire that is close to the ground with conduit or wire loom to prevent rodent damage.
- » Cap all unused female connections with caps provided or weather-resistant silicone to prevent water damage or corrosion.
- » Each dimmer operates on a separate remote.
- » It is recommended that power source be installed and turned on when installing lights to ensure all components work.
- » When installing wiring, avoid extreme angles, pressure, or tension on the wiring, as this can cause pinching of the wiring and create a lighting failure.

# TREX® DECKLIGHTING™ INSTALLATION INSTRUCTIONS

## General Information

- » Refer to [www.trex.com](http://www.trex.com) for instructional videos on how to install Trex DeckLighting.
- » **USE TREX TRANSFORMER ONLY.** Use of any other transformer voids warranty.

## Transformer Capacity by Type

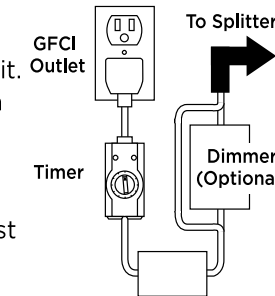
| Type of Light | 8.3A Transformer (83 DL TRANSFORMER) | 2.5A Transformer (2.5 DL TRANSFORMER) |
|---------------|--------------------------------------|---------------------------------------|
| Riser         | 79                                   | 27                                    |
| Recessed      | 79                                   | 27                                    |
| Post Cap      | 79                                   | 27                                    |
| Deck Rail     | 79                                   | 27                                    |

Above listing is for maximum number of each individual light fixture type. For mixing and matching requirements, visit [Trex.com](http://Trex.com) and use the interactive Lighting Transformer Calculator (located on the Trex® Decklighting™ product page).

## Planning

**NOTE:** When designing your deck, plan locations of lights, power supply, timer, and dimmer. These should be accessible for service. Installing a GFCI outlet is **REQUIRED** to help prevent damage to lighting from electrical surges.

1. The dimmer remote will work in a 30' (9 m) radius of the unit.
2. Dimmer should be installed in a dry location.
3. Timer must be installed vertically with receptacle facing downwards. Timer must be at least 1' (.305 m) from ground level when installed as per federal safety code height regulations. Timer must be in view of the sun to use the dusk/dawn feature.

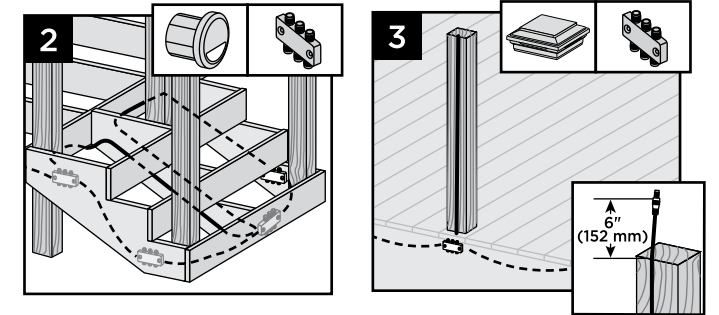
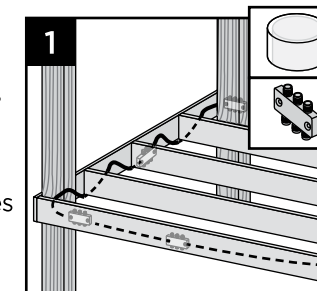


## Installing Wiring

### NOTES:

- » It is recommended to install wiring and splitters before decking and railing have been installed.
- » Use male-to-male connection wire (lengths vary) that will connect to each required splitter.

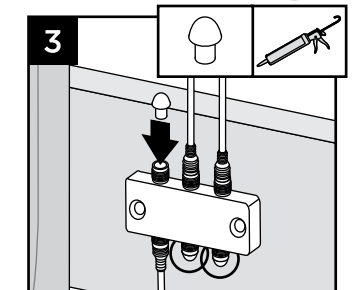
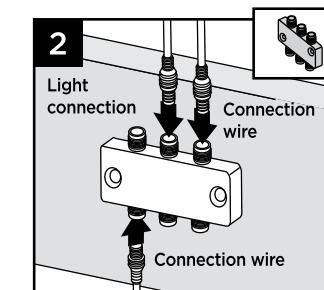
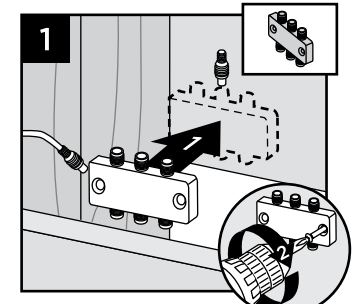
1. Wiring must be run under decking structure and behind stringers. **DO NOT** run wires between deck boards and joists. Staple to frame with cable staples at least 1/4" (6 mm) wide. **DO NOT** crush wire insulation with staples.



2. Wiring can be run under deck and behind risers. Staple to frame with cable staples at least 1/4" (6 mm) wide. **DO NOT** crush wire insulation with staples.
3. Remove 5' (1.52 m) lead wire that is connected to post cap and attach wire to post with male connection at top of post (female connection would be at bottom of post and connect into splitter). Avoid running wire on side of post where railing brackets or deck rail lights will be installed. Leave approximately 6" (152 mm) of lead at top to make connections. Staple to frame and posts with cable staples at least 1/4" (6 mm) wide. **DO NOT** crush wire insulation with staples.

## Making Connections

1. Install splitters to inside of framing using hardware provided. Install at every post base where lighting is present and depending on spacing in between each riser and recessed light.



2. Attach male lead from lights to female connections on splitter. Also attach male-to-male connection wires in between each splitter. Continue until all wiring from lights are attached to splitters and connector wires are attached in between splitters.
3. Cap off all unused female connections on splitters using caps provided or weather-resistant silicone.

# TREX® DECKLIGHTING™ INSTALLATION INSTRUCTIONS

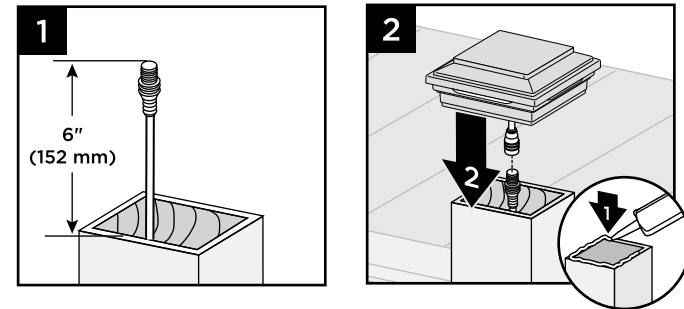
## Timer Operation Instructions

1. Select the mode of operation:
  - » Dusk to Dawn
  - » 2-8 hours
  - » Always "ON"
  - » "OFF"

Program repeats daily. When power is flowing to lights, green light above POWER is on.

## Installing Post Cap Lights

**NOTE:** Install post cap lights after the railing system, post sleeve skirt, and post sleeve have been installed.

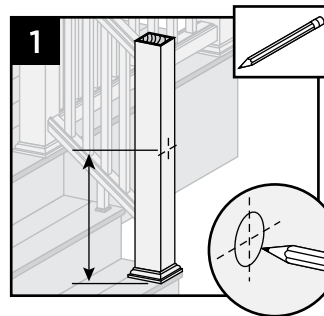


1. Connect male lead from wiring to female connector from cap. Also attach male-to-male connection wires in between each splitter. Continue until all wiring from lights is attached to splitters and connector wires are attached in between splitters. (See Making Connections section for details.)
2. After verifying wiring is correct by turning lights on, attach cap to top of post with silicone caulk.

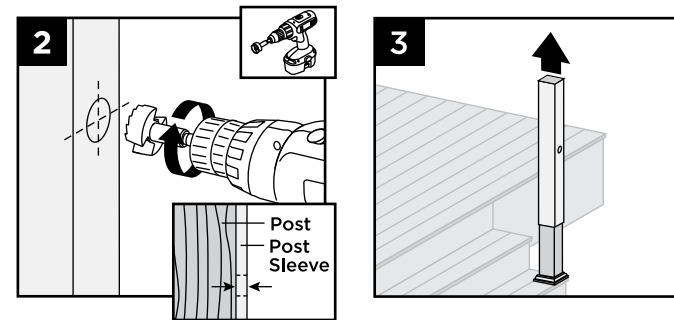
## Installing Deck Rail Lights

**NOTE:** Instructions shown below are for new deck installation and are shown **BEFORE** railing system has been installed.

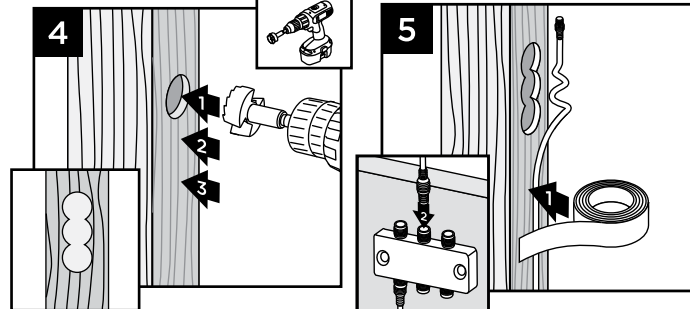
1. Place post sleeve over pressure-treated post and mark desired height, centered on post sleeve for deck rail light location.



**NOTE:** If deck boards are not installed yet, place a deck board on framing to ensure post sleeve is at correct height.

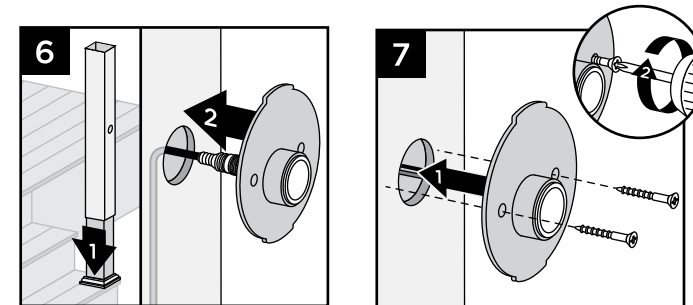


2. Drill a 1" (25 mm) hole through post sleeve. Drill deep enough to mark location on pressure-treated post.
3. Remove the post sleeve from the post.



4. Drill out existing hole on pressure-treated post 3/4" (19 mm) deep. Drill two additional holes vertically below main hole—this will allow space for wiring after post sleeve is attached.
5. Leave enough slack at top of lead wire and attach lead wire to post using heavy duty tape. Attach lead wire to splitter under decking.

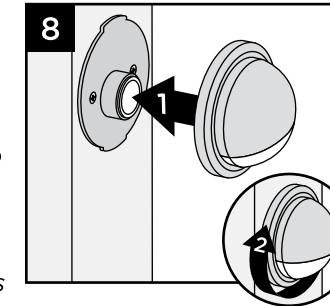
**TIP:** To hold lead wire in place at drilled-out location, use painters tape.



6. Slide post sleeve back over post. If using a post sleeve skirt, make sure to install the skirt first. Connect plug on deck rail light to lead wire and tuck wiring into previously drilled-out pockets on post.
7. Align holes for screws horizontally and attach fixture base to post with provided screws.

# TREX® DECKLIGHTING™ INSTALLATION INSTRUCTIONS

8. Line up polycarbonate lens with fixture housing. Twist onto fixture base. Continue until all wiring from lights is attached to splitters and connector wires are attached in between splitters. (See Making Connections section for details.)



Continue until all wiring from lights is attached to splitters and connector wires are attached in between splitters. (See Making Connections section for details.)

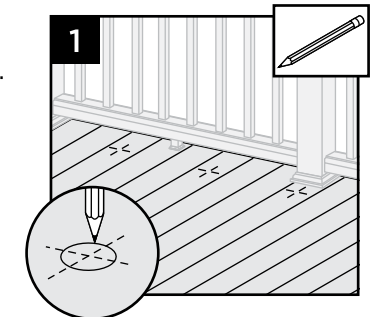
**NOTE: DO NOT** install riser light or deck rail light into top or bottom rails or balusters.

## Installing Recessed Deck Lights

**NOTE:** Install recessed deck lights after installing decking.

1. Mark locations for lights in deck boards.

**NOTE:** If possible, avoid locations over joists as holes will be more difficult to create.

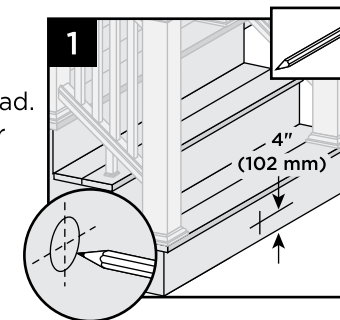


**NOTE:** If railing has already been installed, lead wires will need to be fished through the post sleeve to reach the desired location for the deck rail light. In some cases, if the provided lead wire does not fit (due to connector size), the wire connectors can be cut off and wire nuts can be used. Test lights with the power on. If lights that are wired with this method do not function, then switch the connector wires.

## Installing Riser Lights

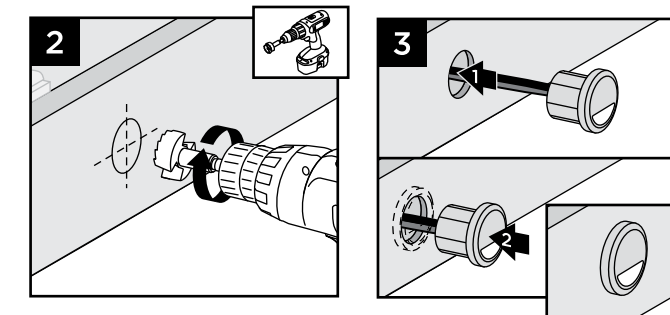
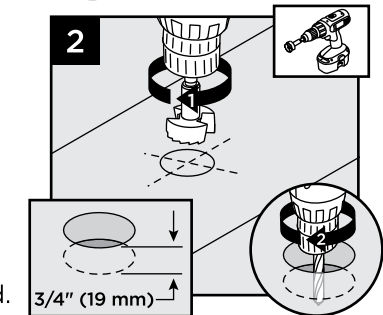
**NOTE:** Install riser lights after stairs and risers have been installed.

1. Mark locations for each light, generally 4" (102 mm) above tread. Consult local codes for lighting requirements.



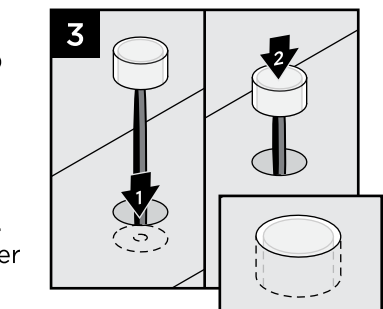
**NOTE:** If possible, avoid locations over stringers as holes will be more difficult to create.

2. Drill a 1" (25 mm) diameter hole 3/4" (19 mm) deep into deck board. Hole cannot go all the way through deckboard or light will fall through. Make sure drill bit is perpendicular to board. Drill a 1/2" (13 mm) diameter hole in base of the first hole through deck board.

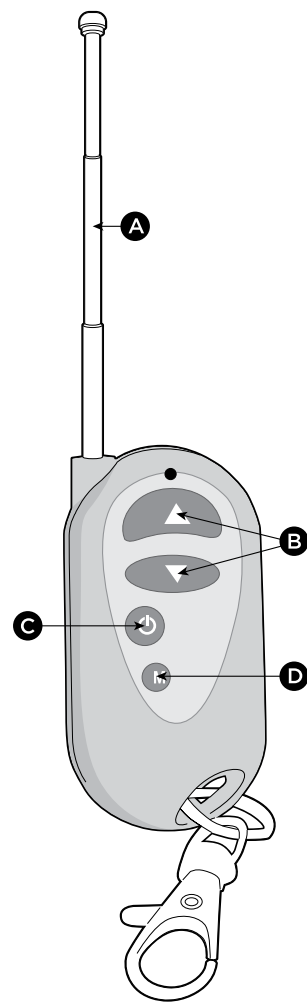


2. Drill a 1" (25 mm) diameter hole at least 1" (25 mm) deep into riser. If riser material is thicker than 1" (25 mm), use a 1/2" (13 mm) drill bit to create a passage for wires.
3. Thread wires through hole. Press light into hole, ensuring lens is horizontal. Make connections behind stairs from male lead wire from recessed light into female connection on splitter. Also, attach male-to-male connection wires in between each splitter.

3. Thread wires through hole. **DO NOT** pull LED into hole by pulling on wires. This may damage wires or LED. Press light into hole until flush with surface. Make connections under deck from male lead wire from riser light into female connection on splitter. Also attach male-to-male connection wires in between each splitter. Continue until all wiring from lights is attached to splitters and connector wires are attached in between splitters. (See Making Connections section for details.)



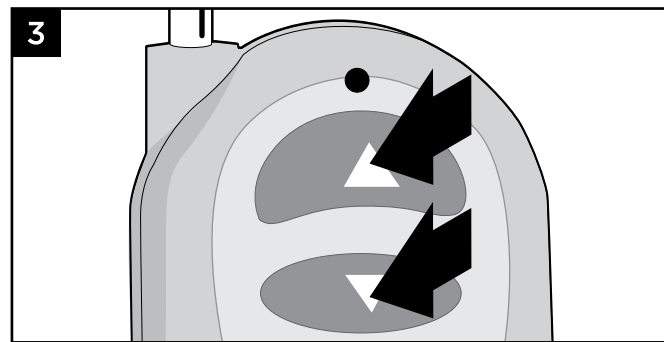
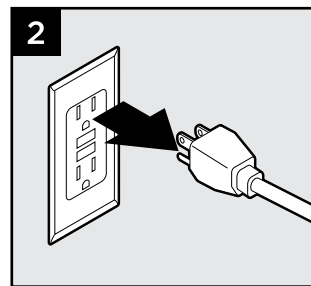
# DIMMER REMOTE PROGRAMMING INSTRUCTIONS



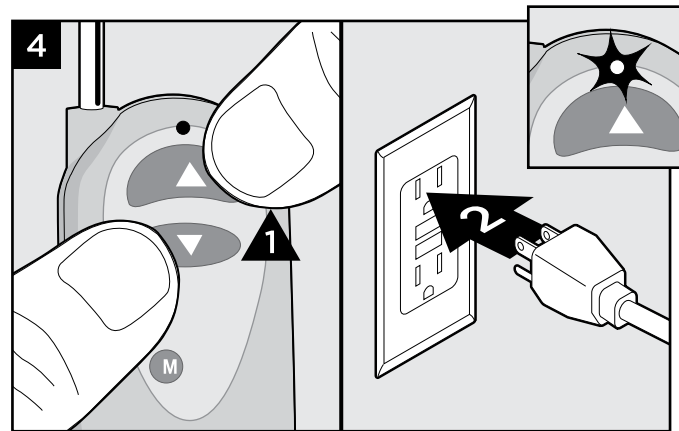
- A. **ALWAYS** keep antenna fully extended for maximum range.
- B. Up/Down arrows gradually dim or brighten lighting.
- C. On/Off button cycles lights ON/OFF.
- D. Mode button cycles through 3 preset dimming levels: High, Medium, Low, and Off.

**NOTE:** First, make sure the red light is illuminated on the remote. If there is no red light and the product is new, contact 1-800 BUY-TREX for a replacement. If the product is not new, the A27 battery is replaceable.

1. Install dimmer per instructions and make sure lights are ON and working properly.
2. Unplug the transformer to turn lights OFF.



3. Press and hold both the up and down arrow on the dimmer remote simultaneously.



4. With the dimmer arrow buttons held down, plug the transformer back in. The lights should blink once to confirm programming.
5. Release the up and down arrows on the remote and test remote to confirm proper operation.

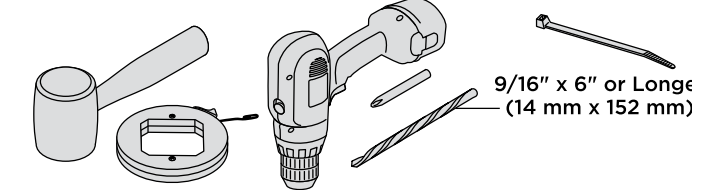
# TREX SIGNATURE® POST CAP LIGHT INSTALLATION INSTRUCTIONS

## PARTS



- » 5ft, 10ft, 20ft, 40ft, and 60ft connection/extension wires sold separately (these are male-to-male connection wires).

## TOOLS NEEDED



## Helpful Tips

- » Leave slack in wire to make fixture terminations.
- » Post lamps work well at changes in levels of a deck—at the top or the bottom of the stairs, or in conjunction with post cap lights.
- » Splitters should be used at each post that has lights and depending on spacing in between each riser and recessed light.
- » Cap all unused female connections with caps provided or weather-resistant silicone to prevent water damage or corrosion.
- » The splitter is cross-linked so there is no specified plug for lights versus lead wires.
- » Leads attached to each light are approx. 5.5' (1.67 m) in length and have male terminals to plug into splitter.
- » Use a separate dimmer control for each light type for maximum control.
- » It is recommended to have power source on when installing lights to ensure all components work.

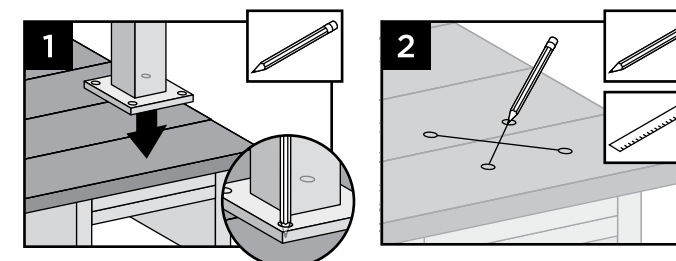
## Transformer Capacity by Type

| Type of Light      | 8.3A Transformer (83 DL TRANSFORMER) | 2.5A Transformer (2.5 DL TRANSFORMER) |
|--------------------|--------------------------------------|---------------------------------------|
| Signature Post Cap | 59                                   | 29                                    |

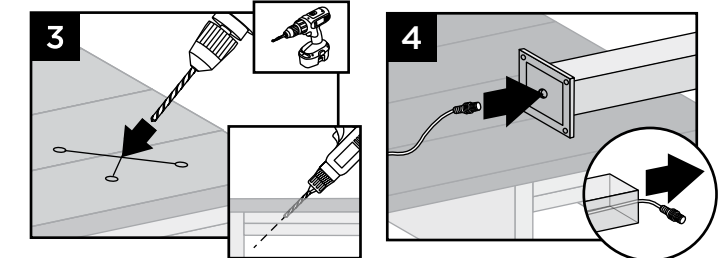
Above listing is for maximum number of each individual fixture type. For mixing and matching requirements, visit [Trex.com](http://Trex.com) and use the interactive Lighting Transformer Calculator (located on the Trex® Decklighting™ product page).

## Installing Post Cap Lights

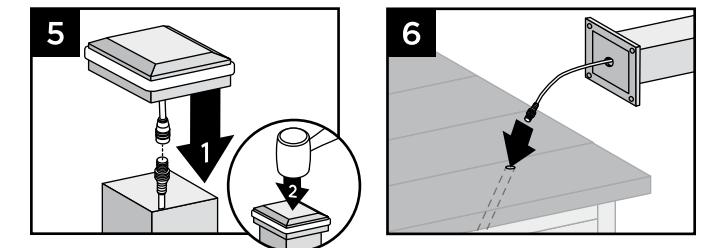
**NOTE:** Instructions shown below are for new deck installation and are shown **BEFORE** railing system has been installed.



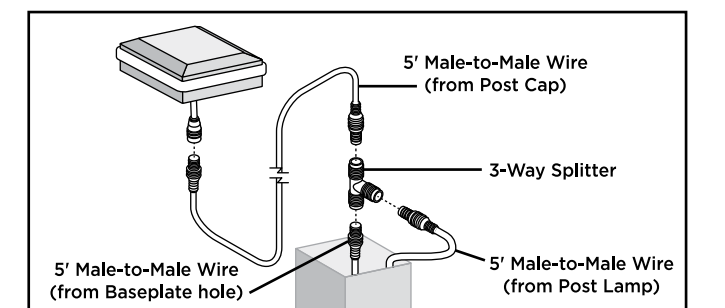
1. Before attaching post to deck, locate placement of post and mark desired bolt locations.
2. Using a straight edge, mark an "X" between the four bolt locations.



3. Using a 9/16" (14 mm) x 6" (152 mm [or longer]) drill bit, drill a diagonal hole through the decking and blocking. Ensure that the angle will allow wire to not be pinched by support plate under blocking (if using Trex ALPOSTHWDECK mounting kit). (See *Making Connections* section for details.)
4. Turn post upside down and fish 5' male-to-male wire (provided) through hole in baseplate.



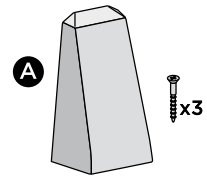
5. Connect the female connector on the post cap light to this wire and, using a rubber mallet, gently tap the cap onto top of post until it is secure.
6. Turn post over and carefully fish wire through hole created in Step 3 to underside of the deck. Ensure exit point of wire under blocking will not be pinched by ALPOSTHWDECK plate.
7. Mount post per instructions.



**NOTE:** If connecting a Trex Wedge Deck Rail Light as well, a 3-way adapter and extra 5' male-to-male wire (not provided) can be used inside the post so that only one wire must be run through the hole in the base of the post (and post blocking). This is optional.

# TREX® WEDGE DECK RAIL LIGHT INSTALLATION INSTRUCTIONS

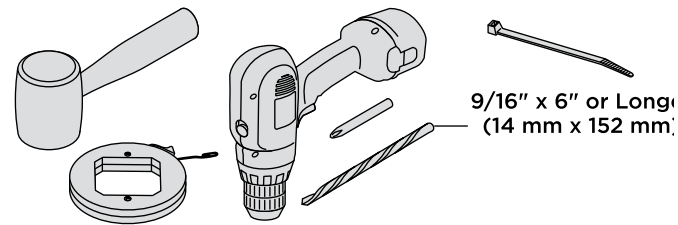
## PARTS



**Wedge Deck Rail Light**  
(includes 5ft male-to-male wire)

- » 5ft, 10ft, 20ft, 40ft, and 60ft connection/extension wires sold separately (these are male-to-male connection wires).

## TOOLS NEEDED



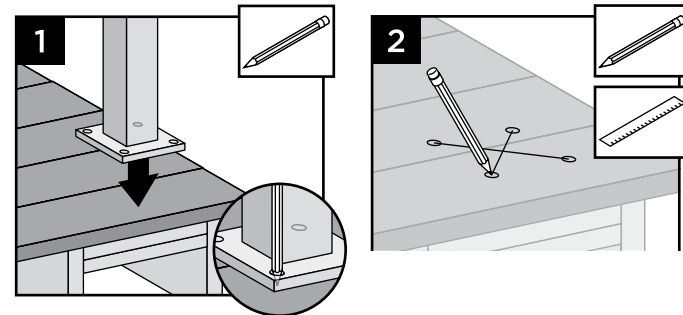
9/16" x 6" or Long  
(14 mm x 152 mm)

## Helpful Tips

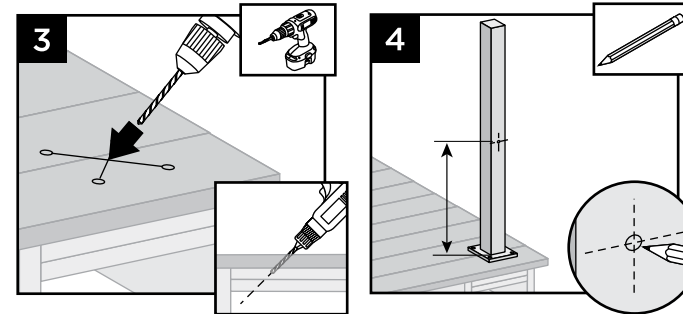
- » Leave slack in wire to make fixture terminations.
- » Deck rail lights work well at changes in levels of a deck—at the top or the bottom of the stairs, or in conjunction with post cap lights.
- » Splitters should be used at each post that has lights and depending on spacing in between each riser and recessed light.
- » Cap all unused female connections with caps provided or weather-resistant silicone to prevent water damage or corrosion.
- » The splitter is cross-linked so there is no specified plug for lights versus lead wires.
- » Leads attached to each light are approx. 5.5' (1.67 m) in length and have male terminals to plug into splitter.
- » Use a separate dimmer control for each light type for maximum control.
- » It is recommended to have power source on when installing lights to ensure all components work.

## Installing Post Lamps

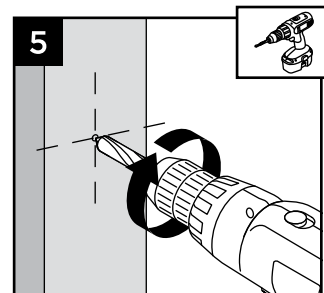
**NOTE:** Instructions shown below are for new deck installation and are shown BEFORE railing system has been installed.



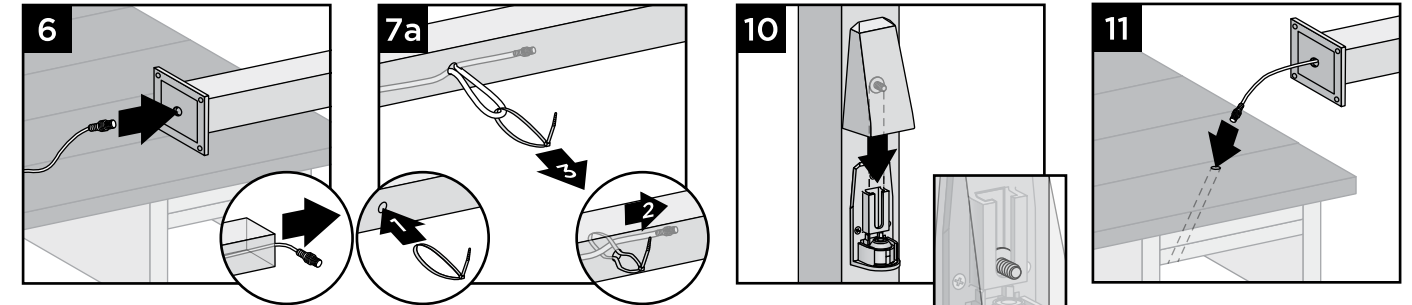
1. Before attaching post to deck, locate placement of post and mark desired bolt locations.
2. Using a straight edge, mark an "X" between the four bolt locations.



3. Using a 9/16" (14 mm) x 6" (152 mm [or longer]) drill bit, drill a diagonal hole through the decking and blocking. Ensure that the angle will allow wire to not be pinched by support plate under blocking (if using Trex ALPOSTHWDECK mounting kit).
4. Locate placement of post lamp. Mark entry point of the wire.
5. Drill 9/16" (14 mm) hole where wire will enter post.



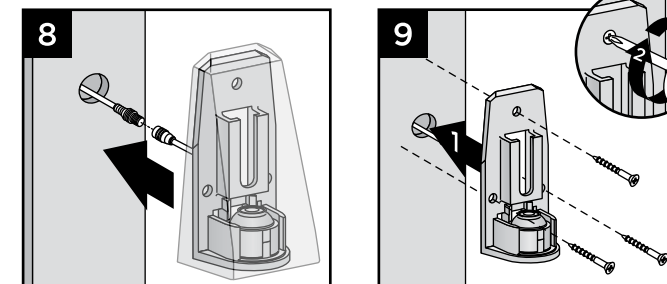
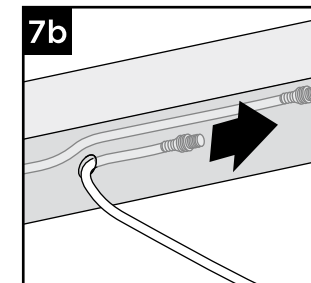
# TREX® WEDGE DECK RAIL LIGHT INSTALLATION INSTRUCTIONS



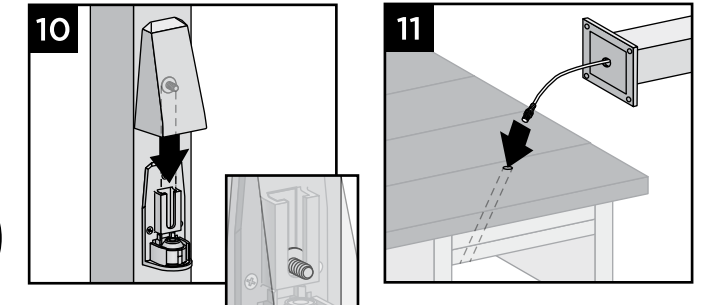
6. Turn post upside down and fish 5' male-to-male wire (provided) through hole in baseplate.
- 7a. If connecting a Wedge Deck Rail Light only, pull wire through hole.

**TIP:** Insert a zip-tie loop (or small grabber tool) through 9/16" (14 mm) hole. Fish wire through loop in zip-tie. Pull wire through hole with zip-tie.

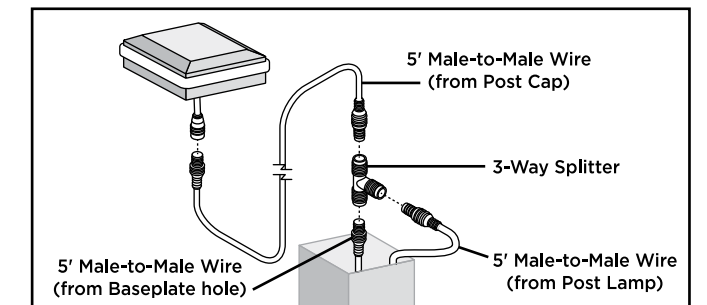
- 7b. If connecting a Trex Signature post cap light as well, and using the 3-way splitter (see note after Step 12), simply run one wire through the hole created in Step 5 to the top of the post.



8. Connect male connector to female connector on light housing.
9. Place light and attach backing plate to post with three screws (provided).



10. Slide light cover down over backing plate, adjusting mounting screws as necessary to achieve a tight fit.
11. Turn post over and carefully fish wire through hole created in Step 3 to underside of the deck. Ensure exit point of wire under blocking will not be pinched by ALPOSTHWDECK plate.
12. Mount post per instructions.



**NOTE:** If connecting a Trex Signature post cap light as well, a 3-way adapter and extra 5' male-to-male wire (not provided) can be used inside the post so that only one wire must be run through the hole in the base of the post (and post blocking). This is optional.

## Transformer Capacity by Type

| Type of Light                   | 8.3A Transformer<br>(83 DL TRANSFORMER) | 2.5A Transformer<br>(2.5 DL TRANSFORMER) |
|---------------------------------|---|--|
| Signature Wedge Deck Rail Light | 79                                      | 27                                       |

Above listing is for maximum number of each individual light fixture type. For mixing and matching requirements, visit [Trex.com](http://Trex.com) and use the interactive Lighting Transformer Calculator (located on the Trex® Decklighting™ product page).

## TREX® LIMITED WARRANTY

Trex Company, Inc. (hereinafter “Trex”) warrants to the original purchaser (“Purchaser”) that, for the period of time set forth in the following sentence, under normal use and service conditions, Trex® product (the “Product”) shall be free from material defects in workmanship and materials, and shall not split, splinter, rot or suffer structural damage from termites or fungal decay. The term of such warranty shall be twenty-five (25) years from the date of original purchase for a residential application, and ten (10) years from the date of original purchase for a commercial application. If a defect occurs within the warranty period, Purchaser shall notify Trex in writing and, upon confirmation by an authorized Trex representative of the defect, Trex’s sole responsibility shall be, at its option, to either replace the defective Product or refund the portion of the purchase price paid by Purchaser for such defective Product (not including the cost of its initial installation).

For purposes of this warranty, a “residential application” shall refer to an installation of the Product on an individual residence, and a “commercial application” shall refer to any installation of the Product other than on an individual residence.

**Notwithstanding the foregoing, (a), the term of the warranty for the LED lights and housing for Trex® DeckLighting™ shall be seven (7) years, the term of the warranty for the LED lights and housing for Trex LandscapeLighting™ shall be five (5) years, the term of the warranty for the dimmer, timer and transformer for both shall be three (3) years, and the term of the warranty for the motion controller for both shall be one (1) year, in each case provided that a Trex transformer is used (with no warranty on any components if a Trex transformer is not used), and any other parts or accessories shall not be warranted; (b) with respect to hardware for the Trex Surroundings® gate (gate frame, hinges and screws), the term of the warranty shall be five (5) years, (c) with respect to Trex Decorative Balusters, the term of the warranty covering the paint coating shall be ten (10) years, and shall be prorated in the following manner: 100% replacement for the first five (5) years; and 50% replacement for the next five (5) years, (d) the term of the warranty for Transcend Product used as outdoor cladding shall be twenty-five (25) years for both a residential application and a commercial application, and (e) this warranty shall not apply to Trex Elevations® steel deck framing, Trex Signature® aluminum railing and TrexTrim™ (which each have separate warranties).**

**TO THE FULLEST EXTENT PERMITTED UNDER THE LAW, THIS WARRANTY SHALL NOT COVER AND TREX SHALL NOT BE RESPONSIBLE FOR COSTS AND EXPENSES INCURRED WITH RESPECT TO THE REMOVAL OF DEFECTIVE PRODUCT OR THE INSTALLATION OF REPLACEMENT MATERIALS, INCLUDING BUT NOT LIMITED TO LABOR AND FREIGHT.**

With respect to a residential application, this warranty may be transferred one (1) time, within the five (5) year period beginning from the date of original purchase by the Purchaser, to a subsequent buyer of the

property upon which the Product was originally installed. With respect to a commercial application, this warranty is freely transferable to subsequent buyers of the property upon which the Product was originally installed.

To make a claim under this limited warranty, Purchaser, or the transferee, shall send to Trex, within the warranty period referred to above, a description of the claimed defect and proof of purchase, to the following address:

Trex Company, Inc.  
Customer Relations  
160 Exeter Drive  
Winchester, VA 22603-8605

Trex does not warrant against and is not responsible for any condition attributable to: (1) improper installation of Product and/or failure to abide by Trex’s installation guidelines, including but not limited to improper gapping; (2) use of Product beyond normal use and service conditions, or in an application not recommended by Trex’s guidelines and local building codes; (3) movement, distortion, collapse or settling of the ground or the supporting structure on which Product is installed; (4) any act of God (such as flooding, hurricane, earthquake, lightning, etc.), environmental condition (such as air pollution, mold, mildew, etc.), staining from foreign substances (such as dirt, grease, oil, etc.), or normal weathering (defined as exposure to sunlight, weather and atmosphere which will cause any colored surface to gradually fade, chalk, or accumulate dirt or stains); (5) variations or changes in color of Product; (6) improper handling, storage, abuse or neglect of Product by Purchaser, the transferee or third parties; or (7) ordinary wear and tear.

No person or entity is authorized by Trex to make and Trex shall not be bound by any statement or representation as to the quality or performance of Product other than as contained in this warranty. This warranty may not be altered or amended except in a written instrument signed by Trex and Purchaser.

**TO THE FULLEST EXTENT PERMITTED UNDER THE LAW, UNDER NO CIRCUMSTANCES WILL TREX BE LIABLE FOR INCIDENTAL OR CONSEQUENTIAL DAMAGES, WHETHER SUCH DAMAGES ARE SOUGHT IN CONTRACT, IN TORT (INCLUDING BUT NOT LIMITED TO NEGLIGENCE AND STRICT LIABILITY) OR OTHERWISE, AND TREX’S LIABILITY FOR NON-PERSONAL INJURY CLAIMS WITH RESPECT TO DEFECTIVE PRODUCT SHALL IN NO EVENT EXCEED THE REPLACEMENT OF SUCH PRODUCT OR REFUND OF THE PURCHASE PRICE, AS DESCRIBED ABOVE.**

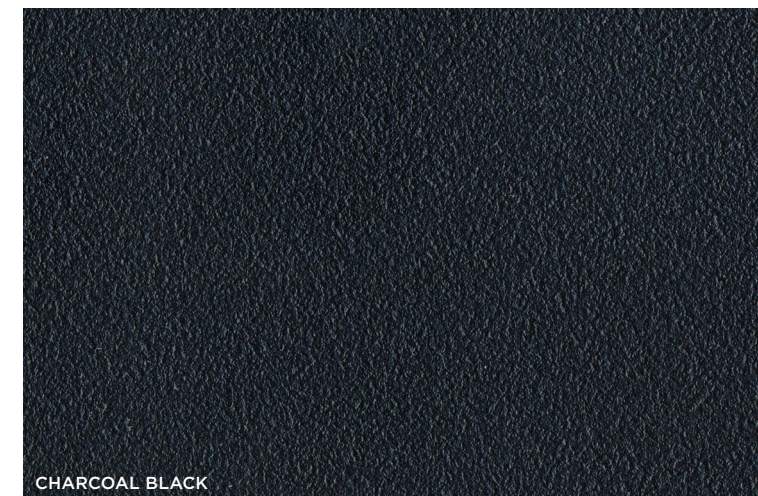
Some States or Provinces do not allow the exclusion or limitation of incidental or consequential damages, so the above limitation or exclusion may not apply to you. This warranty gives you specific legal rights, and you may also have other rights that vary from State to State or Province to Province.

Copyright © 2019 Trex Company, Inc.

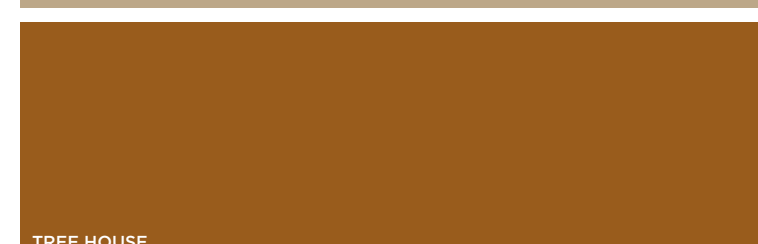
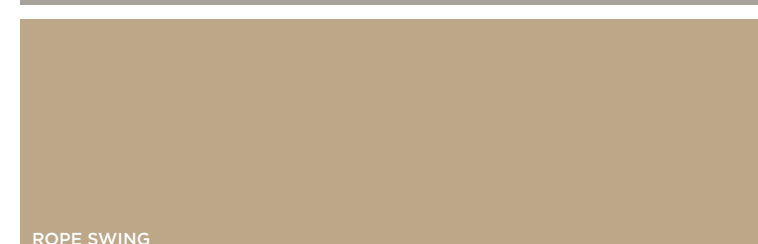
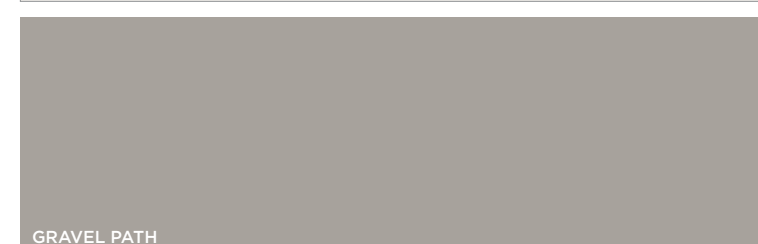
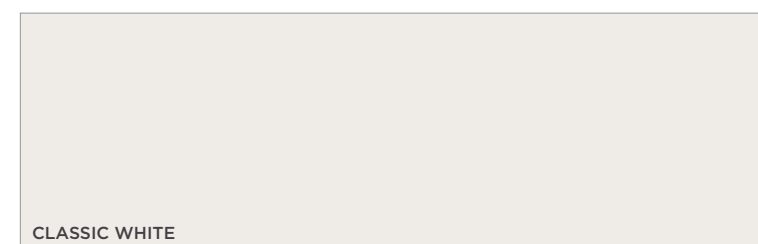
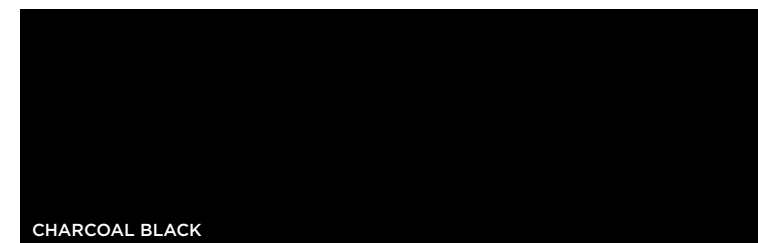
## TREX® OUTDOORLIGHTING™

### COLOR & FINISH OPTIONS

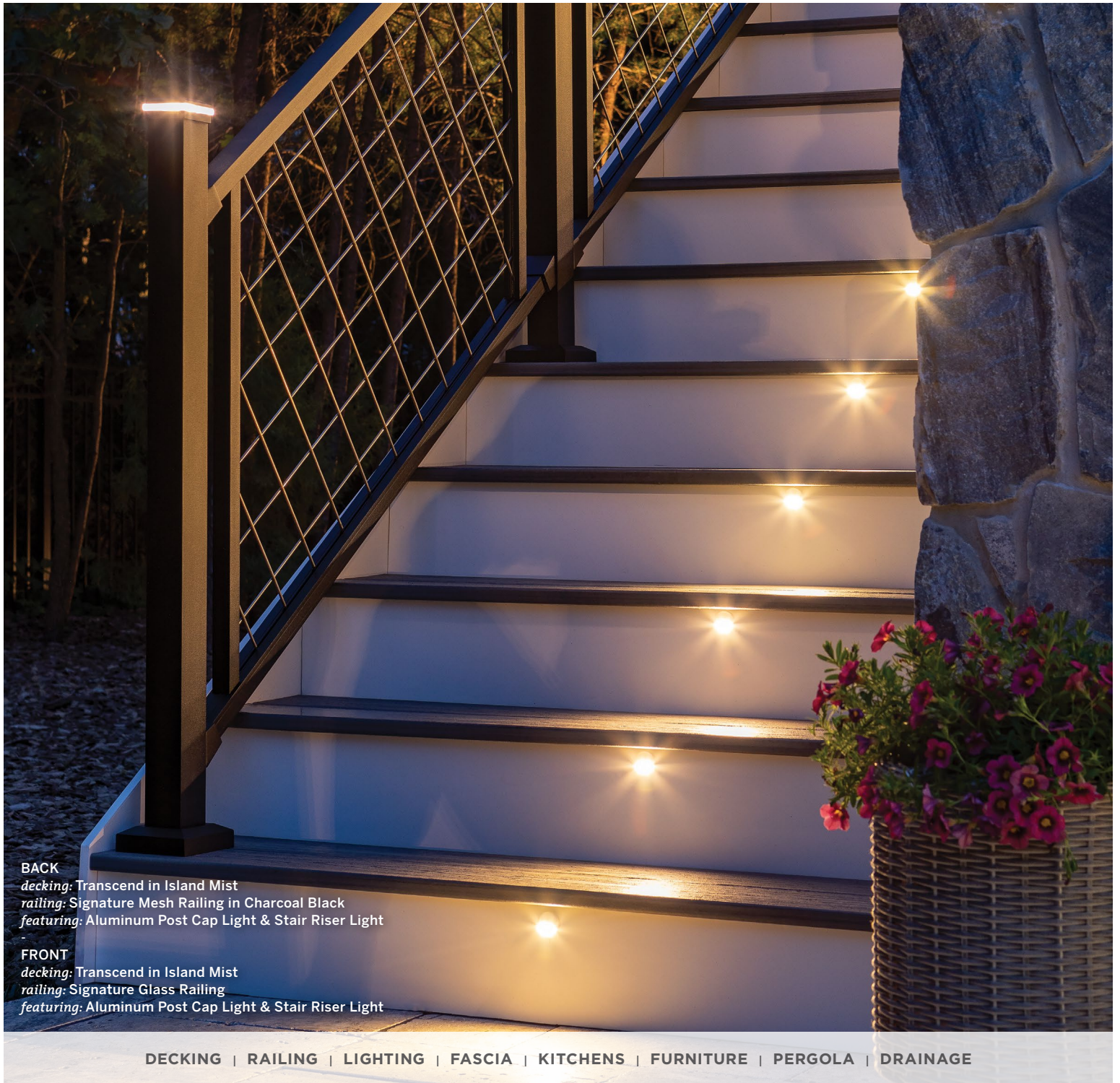
#### DECK RAIL LIGHTS, STAIR RISER LIGHTS & ALUMINUM POST CAP LIGHTS—TEXTURED FINISH



#### POST CAP LIGHTS—SMOOTH FINISH







**BACK**  
*decking:* Transcend in Island Mist  
*railing:* Signature Mesh Railing in Charcoal Black  
*featuring:* Aluminum Post Cap Light & Stair Riser Light

**FRONT**  
*decking:* Transcend in Island Mist  
*railing:* Signature Glass Railing  
*featuring:* Aluminum Post Cap Light & Stair Riser Light

DECKING | RAILING | LIGHTING | FASCIA | KITCHENS | FURNITURE | PERGOLA | DRAINAGE



Engineering What's Next  
 in Outdoor Living®

FIND US ON



Visit [trex.com](http://trex.com) or call 1-800-BUY-TREX