



PRODUCT CATALOG

VERSATEX[®]
BUILDING PRODUCTS



WHY VERSATEX?

TRIM SMARTER.

At VERSATEX, we make trim smarter. Our products are created from cellular PVC in the most state of the art manufacturing facility in the industry and with the highest level of quality, featuring a fully transferable **limited lifetime warranty**. If you know how to cut, rout, or nail wood, you'll know how to cut, shape, fasten, and finish VERSATEX using standard carpentry tools. We're also **NGBS Green Certified**, making us good for you and good for the environment.



WHY VERSATEX?

Because VERSATEX is created from cellular PVC, it is moisture and insect resistant while still featuring the real cedar look and woodworking characteristics a fine builder or craftsman desires. The result is a product limited only by your imagination. VERSATEX is an ideal solution for moisture sensitive areas, including those along coastal zones or regions affected by salt and high humidity. Most of the problems associated with wood trims are eliminated with VERSATEX. No more warping, cupping, or splitting — just a Trimboard with high aesthetic value backed by a lifetime warranty.

- ✓ Can be used in direct contact with masonry
- ✓ Can be used in direct contact with moisture
- ✓ Does not require painting
- ✓ Weather resistant
- ✓ Resists insects
- ✓ Resists rot



OUR COMPANY

VERSATEX is responsive, innovative and proven. Our focus is the cellular PVC trim market. Our strength is innovation and our ability to quickly bring new product solutions to market for our builders, contractors and architects. VERSATEX has a highly experienced management team with over 80 years of expertise in the design, development, production and sale of PVC building products. VERSATEX is a proven leader with an unmatched service platform and best-in-class product quality. We place a high value on listening to our customers and reacting to their needs while remaining extremely approachable.



TABLE OF CONTENTS

WHY VERSATEX?..... 1 - 2

TRIMBOARD..... 3 - 4

SHEET..... 5 - 6

T&G PROFILES..... 7 - 8

CANVAS SERIES..... 9 - 10

CORNERS..... 11 - 12

STEALTH TRIM SYSTEM..... 13 - 14

SOFFIT SYSTEM..... 15 - 16

VERSAWRAP..... 17 - 20

MOULDINGS..... 21 - 22

VERSATEXURAL..... 23 - 24

ACCESSORIES & POP MERCHANDISE..... 25 - 26

MARKETING & TRAINING SERVICES..... 27 - 28

CUSTOM UNITS..... 29 - 30

TRIMBOARD



IT'S ALL WE DO.

VERSATEX is totally dedicated to cellular PVC trim and is the market leader in innovation, quality and technical assistance. This translates to thickness tolerances half the industry norm and the development of revolutionary products. Because trim is all we do, we offer a level of product quality, service and expertise others can only dream of.

GET THE LOOK YOU WANT

We offer two finishes: Smooth Matte and Timber Ridge. VERSATEX Trimboards can be ordered either Smooth/Smooth or Smooth/Timber Ridge.

MORE LIKE REAL WOOD

Timber Ridge is designed with a more natural surface texture to compliment cedar and fiber cement.

VERSATEX EDGES ARE "RIGHT"

VERSATEX Trim is cut with a proprietary system to keep the edges sealed, clean, and dimensionally accurate with true 90° angles.

THICKER OPTIONS

Our 1 1/2" Trim makes it easier to create thick pergola rafters, custom mouldings, and window casings.



Width	Nominal	2"	3"	4"	5"	6"	8"	10"	12"	16"
	Actual	1 1/2"	2 1/2"	3 1/2"	4 1/2"	5 1/2"	7 1/4"	9 1/4"	11 1/4"	15 1/4"

Thickness

5/8" (5/8" Actual)				●		●	●	●	●	●
1" (3/4" Actual)	●	●	●	●	●	●	●	●	●	●
5/4" (1" Actual)			●	●	●	●	●	●	●	●
6/4" (1 1/4" Actual)			●	●	●	●	●	●	●	●
8/4" (1 1/2" Actual)			●	●	●	●	●	●	●	●

- 5/8", 1" and 5/4" available in standard 12', 18' and 20' lengths; 6/4" and 8/4" available in standard 18' lengths
- Custom lengths and widths available in "Smartpack" quantities
- Most thicknesses can be ordered reversible - Smooth/Timber Ridge or Smooth/Smooth
- 1 1/2" thick Trimboards may be subject to extended lead times
- Sizes also available in **PEEL NEAT** with a protective film applied; Check with your local retailer for availability



WE'RE VERSATILE.

At VERSATEX, we pride ourselves on innovation, so we're thrilled to have created the first ever 1 1/2" thick, extruded cellular PVC sheet and trimboard. For years, OEMs and millwork houses have challenged manufacturers to create a product that reduces lamination costs. We've met this demand while still maintaining our industry-best +/-1/32" tolerances and exemplary core consistency found in all our product thicknesses.

SUPERIOR TOLERANCES

Through the use of the most up-to-date extrusion technology, we are able to control sheet thickness tolerances to half that of the competition. The result is a more consistent sheet, providing fabricators high yields, less scrap and a higher quality finished product. VERSATEX Sheet products can be used in many different applications: pergolas, arbors, pediments, corbels, shutters, custom mouldings, and much more.

THICKER MATERIAL

VERSATEX is the first manufacturer to produce 1 1/2" material, available in 48" wide Sheet.



Actual Sizes Width and Length

Thickness	4X8'	4X10'	4X12'	4X18'	4X20'
1/4"	•	•			
3/8"	•	•	•	•	
1/2"	•	•	•	•	•
5/8"	•	•	•	•	•
3/4"	•	•	•	•	•
1"	•	•	•	•	•
1 1/4"	•	•	•	•	
1 1/2"	•	•	•	•	

- Custom lengths and widths available in "Smartpack" quantities
- 1 1/2" thick Sheet may be subject to extended lead times
- 5' wide Sheets available in certain sizes and special quantities
- All sizes except 1/4" thicknesses available in Timber Ridge





GET YOUR GROOVE ON.

With the widest range of Tongue-and-Groove profiles in the industry, no one gives you more options than VERSATEX. From standard beadboard to T&G sheets, beaded sheets, Stealth Beadboard, and WP4, VERSATEX gives you design flexibility during installations. Beaded sheets are also an excellent way to save installation time on the project and are very useful in a wainscoting application.

VERSATEX OFFERS MORE COVERAGE

Our standard Beadboard profile is a full 5 1/2" wide, creating a surface that provides 7% more coverage than our competitors. It is also the only PVC Beadboard that meets or exceeds UL580, class 90 wind gust uplift resistant, making it ideal for coastal applications.

STEALTH BEADBOARD

Our Stealth Beadboard features an extended leg to provide more reachable surface for nailing, thus speeding up installation without any unwanted damage. It also meets or exceeds UL580 class 90 wind gust uplift resistance.

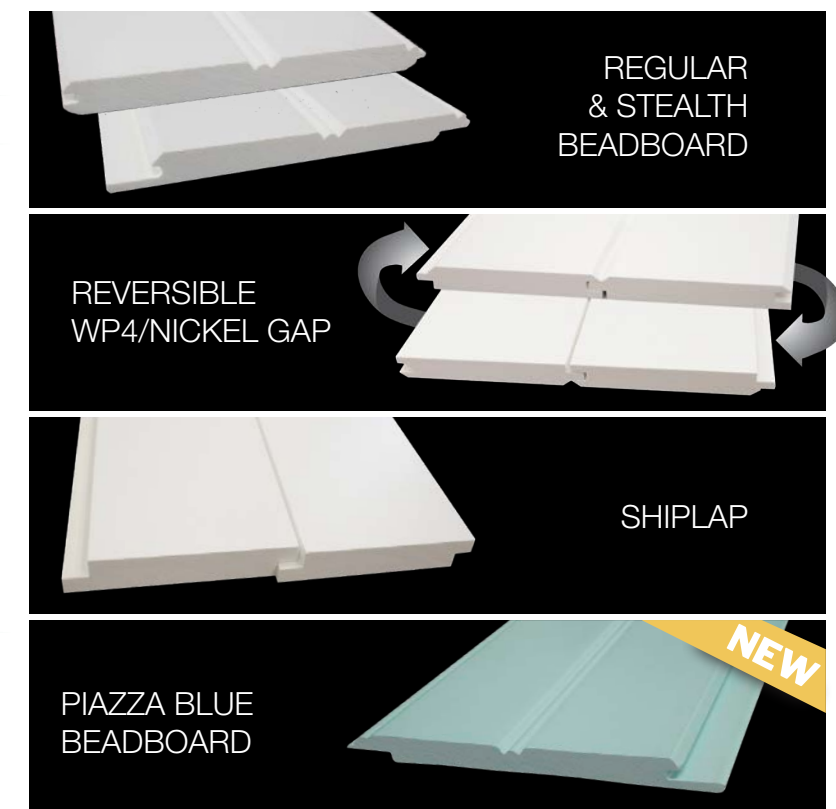


T&G PROFILES

VERSATEX T&G profiles are available in traditional 1/2" thickness and 3/4" thickness for those requiring up to 24" O.C. spacing.

Overall Board Width	Length		
	8'	10'	18'
1/2" X 3 1/2" (Regular)			●
1/2" X 5 1/2" (Regular)			●
3/4" X 5 1/2" (Regular)			●
1/2" X 4" (Stealth)			●
1/2" X 6" (Stealth)			●
1/2" X 6" (Piazza Blue)			●
1/2" X 48" (Beaded Sheet)	●	●	
3/4" X 5 1/2" (WP4/Nickel Gap)			●
3/4" X 5 1/4" (Shiplap)			●
3/4" X 7 1/4" (Shiplap)			●

- Special 3/4" X 3 1/2" X 18' Regular Beadboard available in "UNIT" quantities
- End-Matched WP4 available in 16' lengths
- Availability date for Piazza Blue Stealth Beadboard to be announced in early 2020



CANVAS SERIES



BEAUTY OF WOOD.
DURABILITY OF PVC.

Extend your design options with the newest technology in cellular PVC trim!

VERSATEX[®] Canvas Series

VERSATEX IN COLOR

The VERSATEX Canvas Series has been developed to add contrast to your porch ceilings and interior trim projects. This innovation combines an exterior grade laminate featuring warm woodgrain finishes with long-lasting, maintenance-free VERSATEX profiles. Through the Canvas Series, VERSATEX delivers the look of rich hardwoods without knots and without labor-intensive re-staining requirements.



WP4



Stealth Beadboard



4" Crown



Bed Mould

• Brown line represents wood laminate coverage on profiles



Profile	Actual Width	16'	18'
WP4	3/4" X 5 1/2"		•
Stealth Bead	1/2" X 6"		•
4" Crown	9/16" X 3 5/8"	•	
Bed Mould	9/16" X 1 3/4"	•	

- All profiles available in all seven finishes
- Color-matched touch-up kit to be included from distributor
- Handling guides available at versatex.com/canvas-series



WE HELP YOU CUT CORNERS.

VERSATEX was the first PVC trim company to offer one piece corners and we are still the best. Unlike competition, who works off a scant thickness, our Stealth Corners are a true $\frac{5}{4}$ " board with an actual $\frac{3}{4}$ " X $\frac{3}{4}$ " pocket to neatly accept fiber cement and other lap siding products. When searching for "rabbeted" corners, make sure it's from VERSATEX for a perfect install every time.

EXTENSIVE LINE OF CORNERS

VERSATEX offers the most extensive line of corners in the industry. We're the only PVC trim company to offer custom 12' and 22' lengths, as well as nominal 10" wide Corners. We've made available both square-edge corners and our Stealth Trim System with $\frac{3}{4}$ " pockets, great for hiding virtually any siding product.

THE FIRST ONE-PIECE CORNER

As the most innovative and responsive PVC trim company, VERSATEX was the first in the market to create a one-piece corner. Unlike the two-piece corners offered by some competitors, which gather unsightly dirt along the outside edge, VERSATEX one-piece corners are not only aesthetically superior but easier to install and keep clean. VERSATEX corners will look as good 10+ years from now as they did right after their installation.

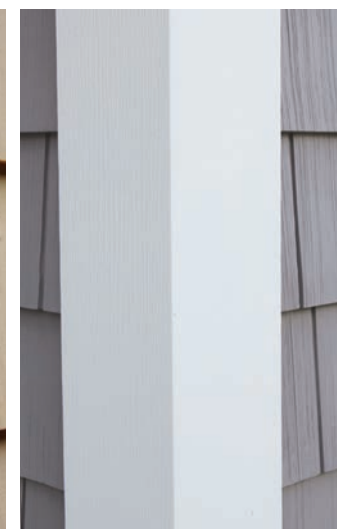


Nominal Sizes	Actual Sizes	Length and Finish				
		Smooth			Timber Ridge	
		10'	20'	22'	10'	20'
1" X 6"	$\frac{3}{4}$ " X 5 1/2"		•			
5/4" X 4"	1" X 3 1/2"	•	•	•	•	•
5/4" X 6"	1" X 5 1/2"	•	•	•	•	•
5/4" X 8"	1" X 7 1/4"		•			

- Special 12' and 22' Corners available in "UNIT" quantities
- Custom widths up to 10" wide Corners available in "UNIT" quantities
- 10' and 20' Corners available in "Smartpack" quantities
- * Stealth Corners also available, refer to pages 13-14



Competition two-piece corner



VERSATEX one-piece corner



WE SURROUND YOU WITH OPTIONS.

While parts and pieces of our VERSATEX Stealth Trim System have been copied by the competition, no one offers more options or better quality.

Stealth **VERSATEX** TRIM SYSTEM

The VERSATEX Stealth Trim System is designed with the builder in mind. Our system allows for faster and more aesthetically pleasing installations time after time. The 3/4" pockets accommodate any siding product including fiber cement, cedar and vinyl, and our Stealth Skirtboard is the answer to meeting manufacturers' ground, asphalt, concrete or deck clearance for fiber cement sidings as well as composite and wood sidings.

STEALTH WINDOW & DOOR SURROUNDS

Nominal Sizes	Actual Sizes	Smooth		Timber Ridge	
		18'	18'	18'	18'
5/4" X 4"	1" X 3 1/2"	●	●	●	●
5/4" X 6"	1" X 5 1/2"	●	●	●	●
5/4" X 8"	1" X 7 1/4"	●	●	●	●

- 5/4" X 4" and 5/4" X 6" available in Standard Stealth, Stealth with Flange Slot, and Trim with Flange Slot; 5/4" X 8" available in Standard Stealth only
- Custom lengths and widths available in "Smartpack" quantities

STEALTH CORNERS

Nominal Sizes	Actual Sizes	Smooth		Timber Ridge	
		10'	20'	10'	20'
5/4" X 4"	1" X 3 1/2"	●	●	●	●
5/4" X 6"	1" X 5 1/2"	●	●	●	●
5/4" X 8"	1" X 7 1/4"	●	●	●	●

- Special 12' and 22' Corners available in "UNIT" quantities
- Custom widths up to 10" available in "UNIT" quantities
- 4" and 6" corners at 10' and 20' lengths available in "Smartpack" quantities

STEALTH SKIRTBOARD

Nominal Sizes	Actual Sizes	Smooth		Timber Ridge	
		18'	18'	18'	18'
1" X 8"	3/4" X 7 1/4"	●	●	●	●
1" X 10"	3/4" X 9 1/4"	●	●	●	●
5/4" X 6"	1" X 5 1/2"	●	●	●	●
5/4" X 8"	1" X 7 1/4"	●	●	●	●

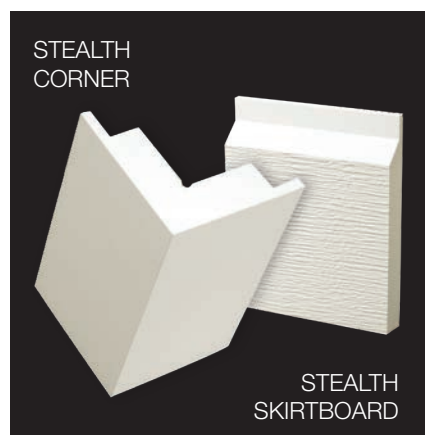
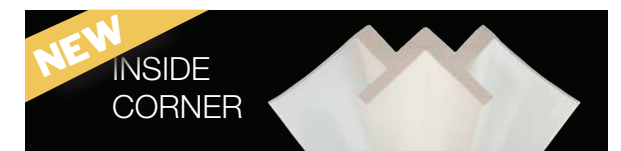
- Custom lengths and widths available in "Smartpack" quantities

STEALTH CASING WITH J-CHANNEL

Actual Sizes	Smooth	18'
1 1/8" X 3 1/2"	●	●
1 1/8" X 5 1/2"	●	●

STEALTH HIDDEN FASTENER CORNER

Actual Sizes	Smooth	20'
1 1/8" X 3 1/2"	Outside	●
1 1/8" X 5 1/2"	Outside	●
1 1/8" X 1 1/2"	Inside	●



SOFFIT SYSTEM



WE HELP YOU BREATHE.

At VERSATEX, we continually look for new ways to help reduce labor and improve aesthetics during installation. In doing so, we developed the first ever Vented Cellular PVC Soffit System. The Vented Soffit features 10 square inches of free airspace per linear foot, making it one of the most superior airflow systems in the market.

AVOID INSECTS

Vents are cut in a manner to prevent nesting insect infiltration. However, our soffit can be screened when required by code.

VERSATEX FASCIA AND FRIEZE

The Notched Fascia requires no flashing or cover. Notched Fascia and Frieze boards have a 9/16" plowed pocket to accept 1/2" solid or vented VERSATEX Soffit.



SOFFIT

Actual Sizes	Vented	Solid
	18'	18'
1/2" X 12"	•	•
1/2" X 16"	•	•
1/2" X 24"	•	•

- Available in Smooth only
- Custom lengths available in "Smartpack" quantities



SOFFIT ACCESSORIES

NOTCHED FASCIA		Smooth	Timber Ridge
Nominal Sizes	Actual Sizes	18'	18'
1" X 8"	3/4" X 7 1/4"	•	•

- Custom lengths and widths available in "Smartpack" quantities

FRIEZE BOARD		Smooth	Timber Ridge
Nominal Sizes	Actual Sizes	18'	18'
5/4" X 6"	1" X 5 1/2"	•	•

- Custom lengths and widths available in "Smartpack" quantities



YOU'LL GET WRAPPED UP IN US.

When contractors and remodelers asked us to make covering wood posts easier, we delivered. VERSAWRAP saves time without sacrificing esthetic options.



CLASSIC

RAISED PANEL

VERSAWRAP™

EXPERIENCE THE VERSAWRAP

At VERSATEX, we pride ourselves on coming up with innovative ways to make the builders' lives easier during installation. When we were asked to make covering wood posts more efficient with still improving aesthetics, we delivered the VERSAWRAP.

The unique design of VERSAWRAP features a product cut with pre-mitered grooves and friction fit joints. The joints are inter-locking with a unique design to allow for easy alignment and additional surface area for bonding.

SAVE TIME & MONEY

Now, instead of cutting four individual joints or miters in the field, you can wrap smarter

with VERSAWRAP column wraps. No more field cutting and struggling to match seams. The VERSAWRAP line includes Classic and Raised Panel designs as a one-piece wrap with accessory options, and a four-piece Tapered design that includes Craftsman-style accessories.

GO BEYOND...

Our Classic and Raised Panel styles are created from a single piece of VERSATEX cellular PVC with three pre-mitered grooves that fold around the structural post and lock together with a friction-fit miter lock joint. Just apply your PVC glue, fold the VERSAWRAP around your structural column, secure in place, peel the tape, and walk away.

CLASSIC

Nominal Sizes	Actual Inside Dimension	Actual Outside Dimension
4" X 4" X 8'6"	3 3/4" X 3 3/4" X 8'6"	4 3/4" X 4 3/4" X 8'6"
4" X 4" X 10'	3 3/4" X 3 3/4" X 10'	4 3/4" X 4 3/4" X 10'
6" X 6" X 8'6"	5 3/4" X 5 3/4" X 8'6"	6 3/4" X 6 3/4" X 8'6"
6" X 6" X 10'	5 3/4" X 5 3/4" X 10'	6 3/4" X 6 3/4" X 10'
8" X 8" X 8'6"	8 1/2" X 8 1/2" X 8'6"	9 1/2" X 9 1/2" X 8'6"
8" X 8" X 10'	8 1/2" X 8 1/2" X 10'	9 1/2" X 9 1/2" X 10'
12" X 12" X 12'	9 3/4" X 9 3/4" X 12'	11 1/4" X 11 1/4" X 12'

- Special 10" Classic wraps available (minimum quantities apply)
- All 4", 6", and 8" VERSAWRAPs are made from actual 1/2" thick VERSATEX; 12" wraps are made from actual 3/4" thick material.

RAISED PANEL

Nominal Sizes	Actual Inside Dimension	Actual Outside Dimension
6" X 6" X 8'6"	5 3/4" X 5 3/4" X 8'6"	6 3/4" X 6 3/4" X 8'6"
6" X 6" X 10'	5 3/4" X 5 3/4" X 10'	6 3/4" X 6 3/4" X 10'
8" X 8" X 8'6"	8 1/2" X 8 1/2" X 8'6"	9 1/2" X 9 1/2" X 8'6"
8" X 8" X 10'	8 1/2" X 8 1/2" X 10'	9 1/2" X 9 1/2" X 10'

- Panels start 16 1/2" from bottom with railing gap from 30 3/4" to 38 1/2". Clearance above the top panel measures 8 3/4".
- For best aesthetic results, painting is recommended to prevent dirt accumulation where panel is milled into product.



CLASSIC & RAISED PANEL ACCESSORIES

MOULDING KITS

For 4", 6", and 8" Wraps

Base Cap Moulding Kit
Bed Moulding Kit
Crown Moulding Kit

For Around Accent Wraps

Bed Moulding Kit XL
Crown Moulding Kit XL

- All Moulding Kits are pre-cut to length, mitered, and sold in bags with Hoffman Dovetail Connectors for easy assembly and designed to fit snugly around outside dimension of our 4", 6" or 8" VERSAWRAP.
- XL Bed Moulding and XL Crown Moulding Kits are cut longer to fit around outside dimension of Accent Wraps.
- All Crown Moulding Kits are made with 4" Crown Mould profile (3 5/8" actual).

ACCENT WRAPS

Nominal Sizes Actual Inside Dimension

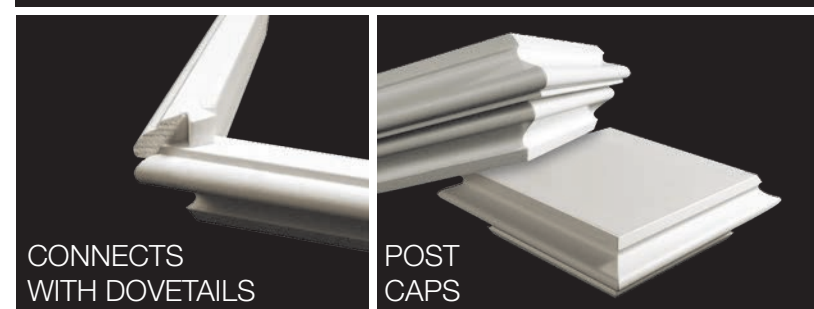
4" X 4" X 10"	4 3/4" X 4 3/4" X 10"
6" X 6" X 10"	6 3/4" X 6 3/4" X 10"
8" X 8" X 10"	9 1/2" X 9 1/2" X 10"
4" X 4" X 10'	4 3/4" X 4 3/4" X 10'

- Nominal 6" X 6" X 10' Accent Wraps are available in "UNIT" quantities.
- Accent Wraps are made from actual 1/2" thick VERSATEX; Add 1" to inside dimensions to calculate outside measurements.

POST CAPS

Actual Inside Dimension

4 3/4" X 4 3/4"
6 3/4" X 6 3/4"



Our four-piece Tapered column wrap provides the same convenience of the one-piece VERSAWRAP for a craftsman style project. Four pre-cut panels each have a friction-fit miter lock joint to eliminate the calculations and cuts required to ensure the right angle for each panel.

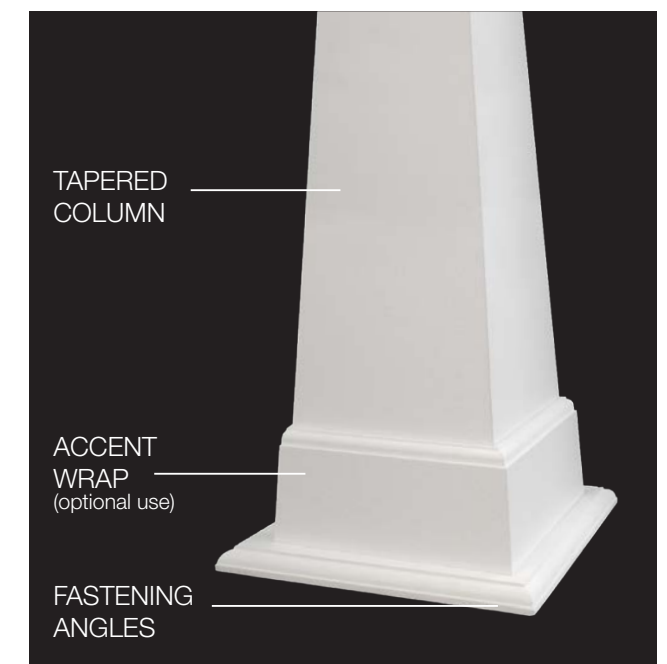
TAPERED

Actual Sizes	5'	6'
12" base / 8" cap	•	•
16" base / 12" cap	•	•

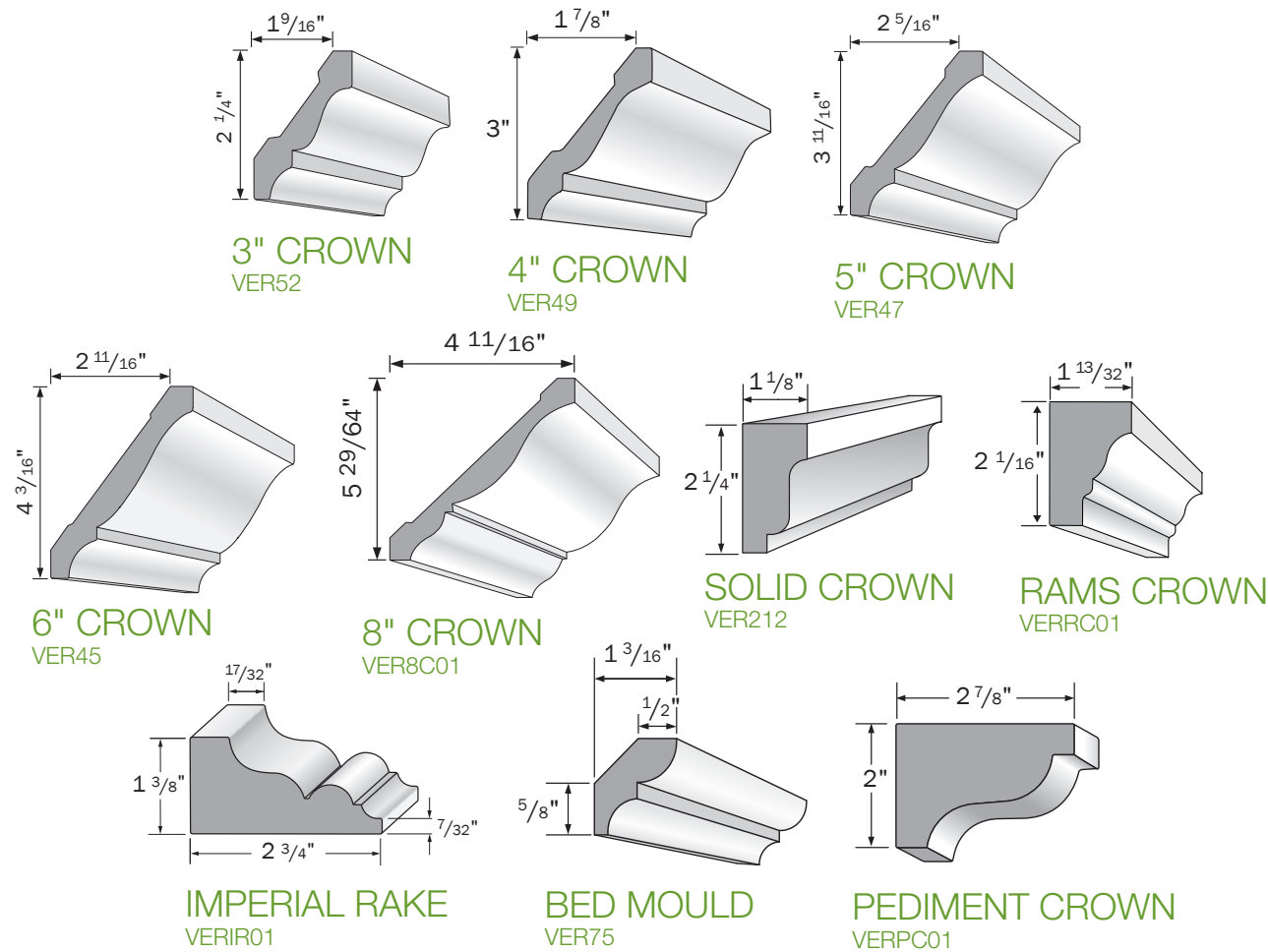
- Each Tapered wrap includes squaring corners for fastening and optional skirt accessories.

ACCENT WRAPS AND FASTENING ANGLES

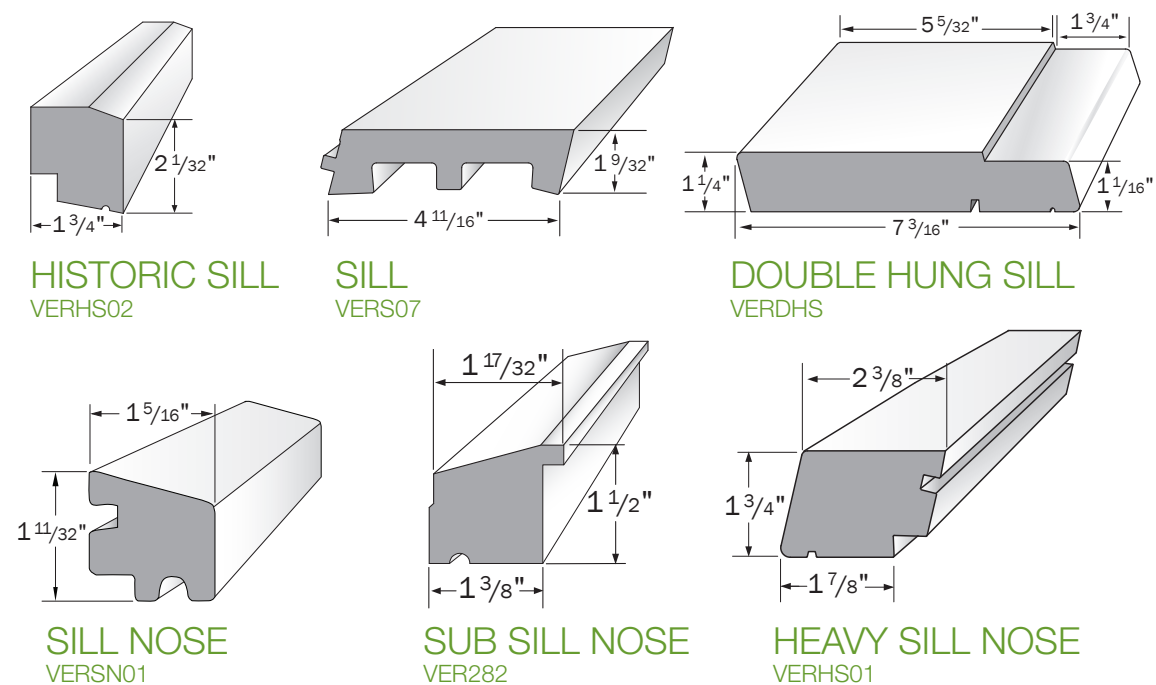
Fastening angles and 3 1/2" decorative accent wrap pieces are included for the cap and base of each Tapered column to fasten and accessorize for a craftsman aesthetic.



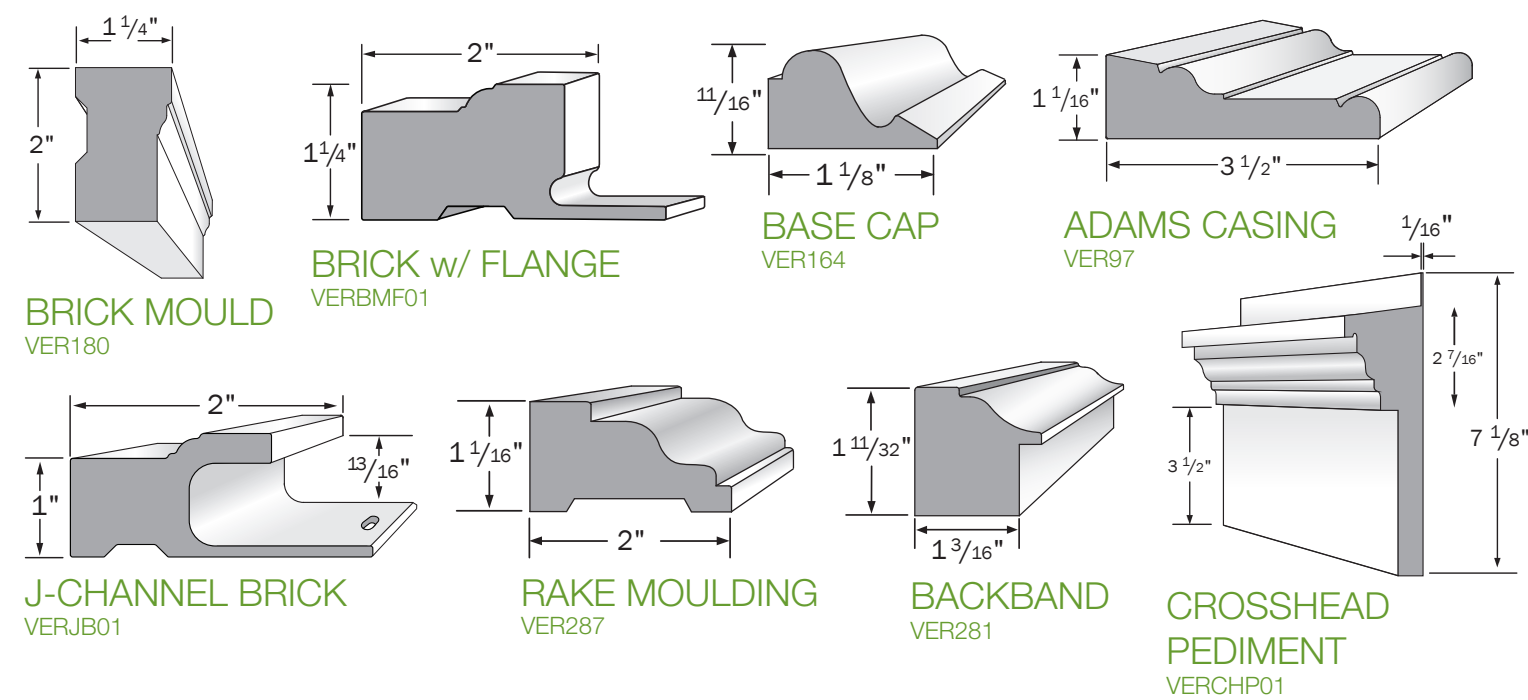
CROWN PROFILES



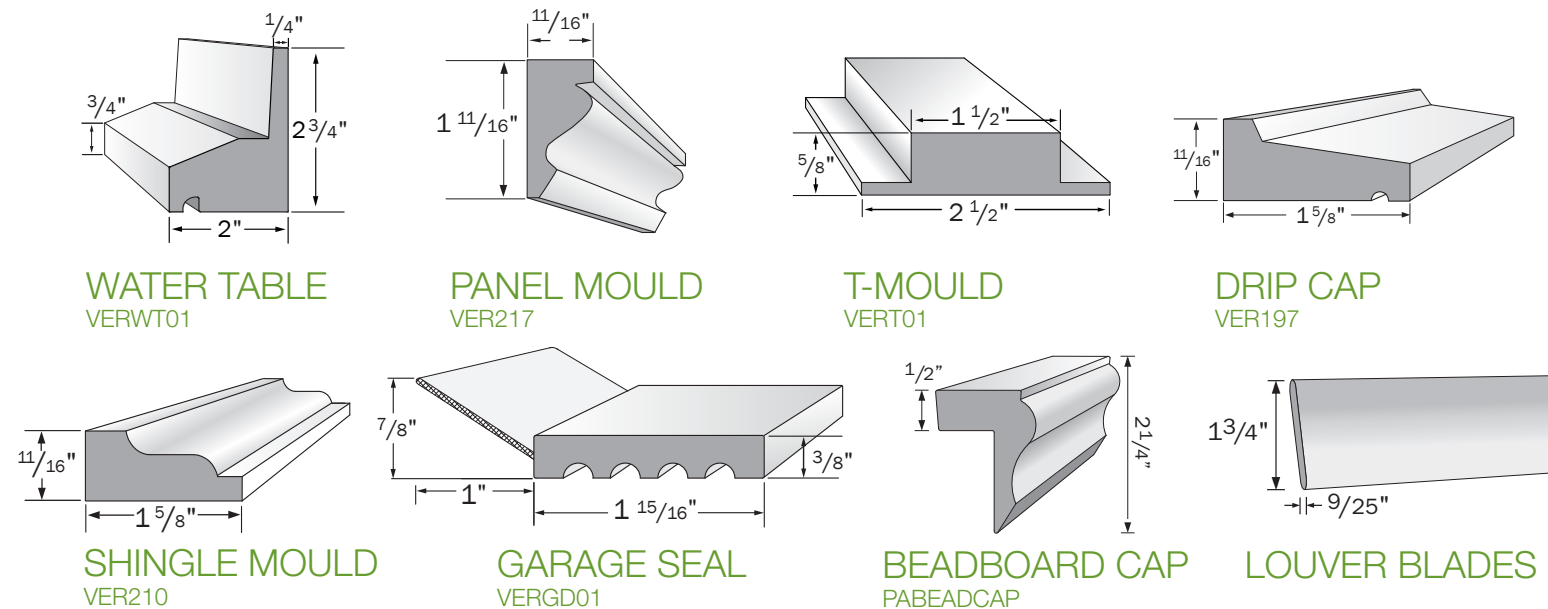
SILL PROFILES



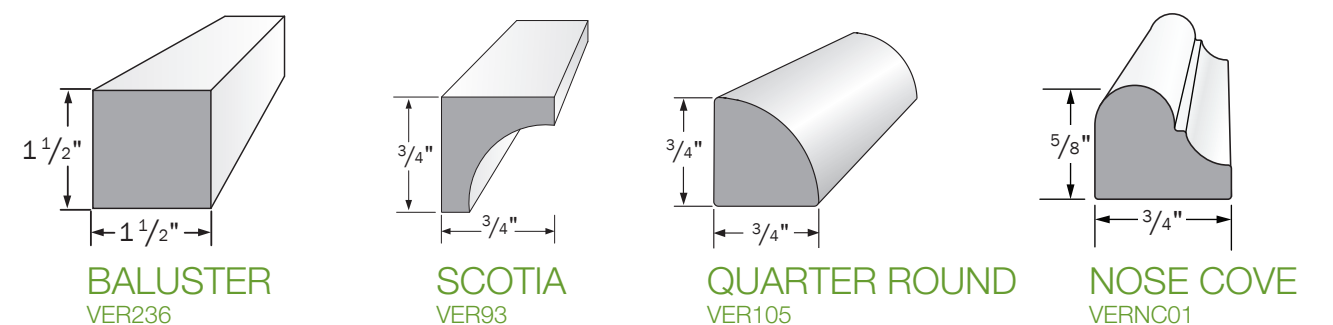
CASING PROFILES



ADDITIONAL PROFILES



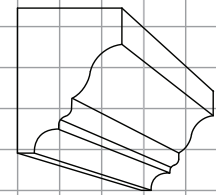
COVE PROFILES



All mouldings sold at 16' lengths except the following: Brick Mould, J-Channel Brick, Water Table, Double Hung Sill and Brick w/ Flange sold at 18' lengths; T-Mould and Pediment Crown sold at 12' lengths.

YOU'RE NEVER LIMITED.

VERSATEX simply offers more. And we do more. VERSATEX goes out of the way to make sure you get the products you want – the way you want them. With our VERSATEXURAL custom millwork solution, we can create anything made-to-order, such as window surrounds, brackets, spires, railing systems, and more. Simply put, we do whatever it takes to make your life easier by removing your limits.



VERSATEXURAL

Think Outside the Board

VERSATILITY AND VARIETY

VERSATEXURAL allows you to create beautiful architectural elements such as corbels, trellises, cupolas, gazebos, window surrounds, decorative brackets, and rail-systems out of VERSATEX PVC. Armed with CNC routers, moulders, and a bevy of other high-end cutting and fabrication equipment, VERSATEXURAL can mill or mould virtually anything. Because the finished products are made from VERSATEX PVC, you can count on your creations standing the test of time.

ENDLESS OPTIONS

We can fabricate for anyone: hotels, churches, store fronts, assisted living centers, dormitories, historic restorations, office buildings, and multi/single family construction.



LOUVERS



CUSTOM RAKE BOARD ASSEMBLY

Residential builders and renovators can eliminate the hassle of on-site rake board assembly with VERSATEXURAL custom fabrication service. By combining stainless steel fasteners and a premium PVC adhesive, we can produce strong rake board assemblies.

VERSATEX rake board assemblies can be purchased in any width or profile, in two- or three-step configurations, made from 1" and 3/4" cellular PVC boards. Custom lengths are available to minimize waste.



REQUEST A QUOTE TODAY

Receiving a quote for VERSATEXURAL services is quick and easy. Just visit versatexural.com, complete the request form with your project information and upload a detailed drawing. We will respond with any questions and produce a quote within an average of 48 hours, including price and production time. Production is managed by VERSATEX, and is usually completed within two to six weeks.

Complete your project with complimentary adhesive and joining products available directly from VERSATEX. Weld-On 705 is a fast-drying PVC adhesive that is available in clear or white, and it delivers a close color match to VERSATEX PVC. Biscuits created to perfectly match VERSATEX are also available for joining miters, frames, drawers, boxes, and more.

Please also refer to our Product Suggestion Guide, available at www.versatex.com/resources/marketing-tools for other products that are recommended by our technical experts and available through retailers.

BISCUITS

25 per box / 10 boxes per display case

WELD-ON

Sizes 4 oz. 5 oz. 8 oz. 16 oz. 32 oz.

705 White

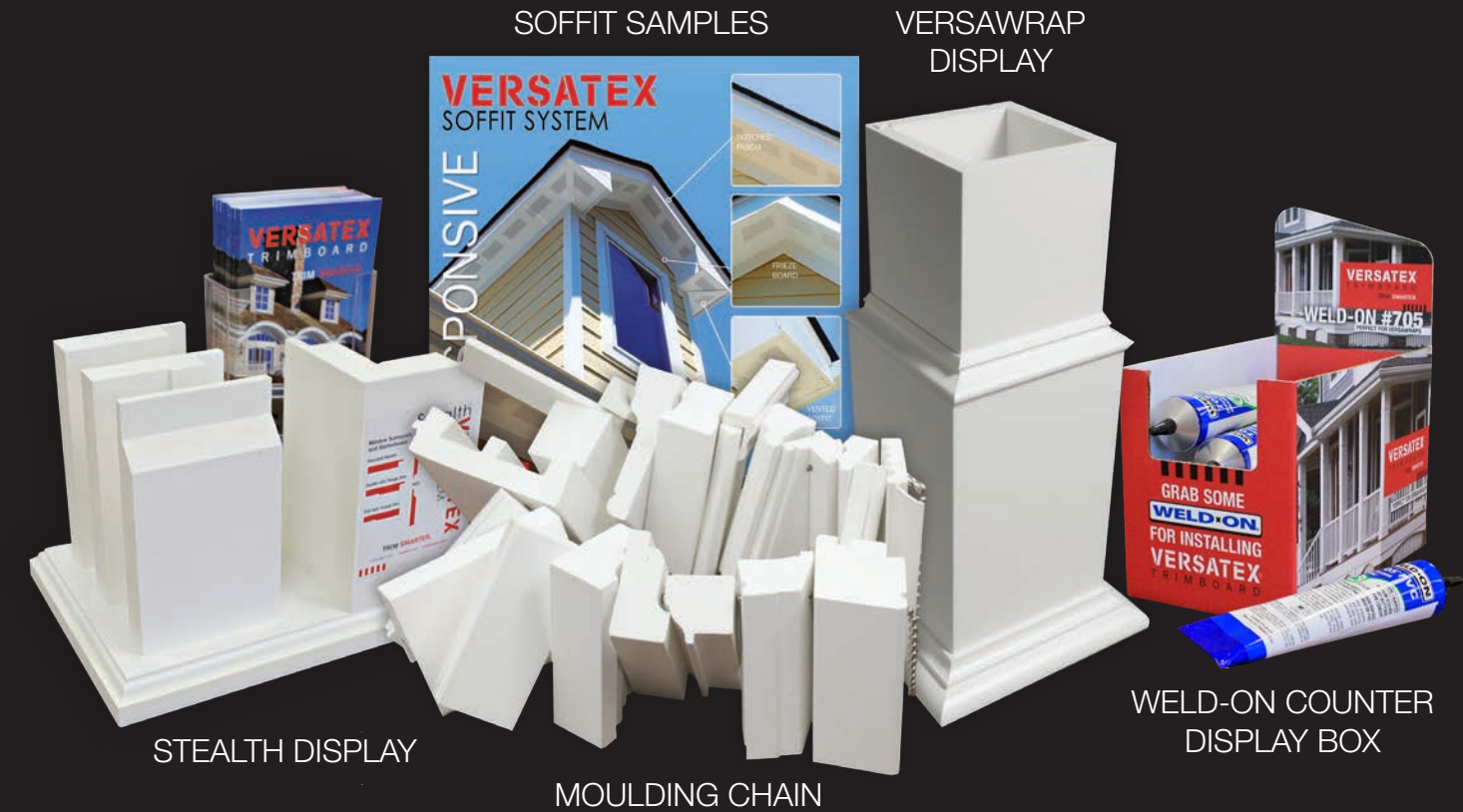
705 Clear

705 Tube

• 24 tubes are in each case



POP MERCHANDISE



BANNERS, WALLBOARDS AND OTHER POP MERCHANDISE

DEALER SUPPORT

VERSATEX offers POP displays and samples to our customers to help with merchandising their stores. If you are interested in getting these items, please contact your local distributor. If you need something custom, please contact the VERSATEX Marketing Department at 724.857.1111.

MARKET SMARTER

VERSATEX also provides marketing support to help promote dealer events, design advertising, support out-bound communications, and more! Contact us to discuss available options.

BANNERS



SAMPLE PACKS

WE'RE RIGHT THERE WITH YOU.

HOW VERSATEX GIVES YOU MORE:

- Product line designed for both esthetics and efficiency
- Industry-best lifetime warranty
- Products that are impervious to bugs and moisture
- Better paint adhesion
- Extensive technical support



FREE CONTRACTOR HANDBOOK APP

CONTRACTORS

WE MAKE YOU THE EXPERT...

In addition to having technical experts available by phone, VERSATEX provides technical support through our complete online library of information. We also encourage you to download our **Contractor Handbook app** (available for Apple and Android) for easy reference while you're on the job.

...AND WE REWARD YOU

The **VERSATEX Premier Builder app** converts your purchases to rewards. Available for Apple and Android devices, Premier Builder includes an integrated photo upload function to easily submit invoices, which are converted to points in your account. Not only are points good for a wide variety of rewards, but your lifetime point history also determines your program status.

- Points never expire, so you can save up for bigger-ticket items
- Status thresholds come with official certificates and badges, as well as tiered marketing support programs to help you sell your services
- Activity-based points are also available for things like watching training videos or attending events
- Additionally, the app will notify you of developments in your area – new stocking dealers, promotions, local events, etc.

Download the **Premier Builder app** & our **VERSATEX Contractor Handbook app** Available on the App Store and Google Play™



CONTRACTOR COLLEGE

VERSATEX takes the time to educate contractors on products and installation. Builders participating in our Contractor College course will leave with an in-depth knowledge of VERSATEX products and installation techniques, which means better results in the field and more satisfied customers. Everyone has questions, but luckily, VERSATEX will always find an answer. We make our contractors PVC trim experts, and we strive to help you Trim Smarter.

The Contractor College course includes:

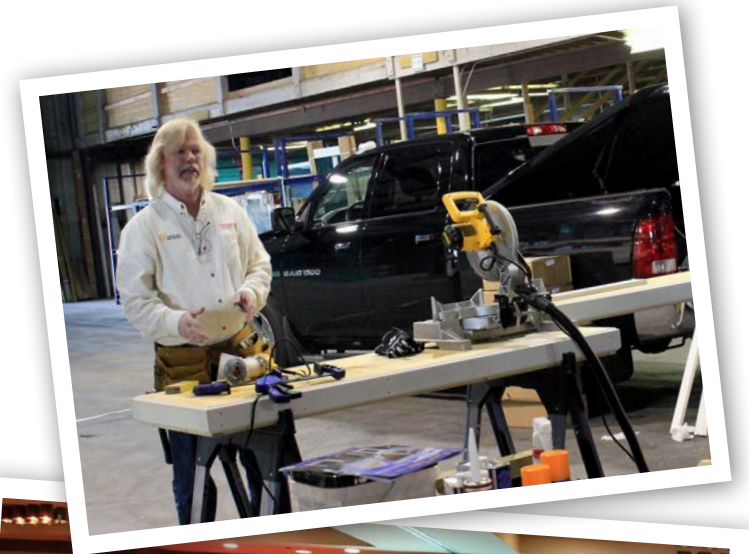
- Product tips and knowledge
- Best practices during the installation process
- Free VERSATEX literature, product samples, and giveaways
- Free breakfast or lunch supplied by VERSATEX

Contact VERSATEX or reach out to your local sales representative to schedule a course today!

VERSATEX ROADSHOW: SEE US IN ACTION

Our NEW customized VERSATEX Road Show trailer is on the move, visiting dealers throughout the nation. We're excited to be working with nationally recognized deck, porch, and remodeling expert, Bobby Parks, to bring this rolling showroom to you! Roadshow events include interactive demonstrations, product info, and inspiration.

Contact us to find out about Road Show possibilities in your area.



VERSATEX
PREMIER
EARN SMARTER.

Apple and the Apple logo are trademarks of Apple Inc., registered in the U.S. and other countries. App Store is a service mark of Apple Inc. and Google Play is a trademark of Google Inc.



CUSTOM UNITS



CUT-TO-LENGTH ON ANY PRODUCT

PARAMETERS:

- Available for all sizes of boards, sheets, beaded profiles, stealth products, and corners
- Product can be cut to the desired inch and will be priced accordingly (length tolerance + 3/4" - 0")
- Minimum requirement is half a unit of any one SKU (full rows required) length must be between 6'-24'
- Allow 3 weeks for delivery

SAVINGS ANALYSIS

Example: 14'6" Trim optimal for project

60 pieces: 1" X 8" X 18' Trim @ \$50.40 each (\$2.80 per foot) = \$3,024

60 pieces: 1" X 8" X 14'6" Trim @ \$40.60 each (\$2.80 per foot) = \$2,436

\$588 Material Savings!

*Prices shown as examples ONLY. Contact your sales representative for actual pricing.

*Cut-to-width also available in certain cases

ALSO AVAILABLE FOR VERSAWRAP!

- Four unit minimum required
- 96 piece minimum
- Available between 8' and 14' lengths.

MIXED NUT BLENDED UNITS

TO CUSTOMIZE:

- Choose any ONE thickness of trim per Mixed Nut unit (Nominal sizes: 3/8", 1/2", 5/8", 4/4", 5/4")
- Calculate tallies by stack
- Stack heights never change (minimum one full stack per any SKU required)
 - 3/8" = 33 pieces/stack
 - 1/2" = 25 pieces/stack
 - 5/8" = 20 pieces/stack
 - 4/4" = 17 pieces/stack
 - 5/4" = 12 pieces/stack
- Add up "actual" width of each board

Nominal Width	3"	4"	5"	6"	8"	10"	12"	16"
Actual Width	2 1/2"	3 1/2"	4 1/2"	5 1/2"	7 1/4"	9 1/4"	11 1/4"	15 1/4"

- Stay between 45" - 48" for your total width

MIXED NUT UNITS - STANDARD TALLY

4/4 UNITS	5/4 UNITS	5/8 UNITS
34 pieces of 4"	24 pieces of 4"	40 pieces of 4"
17 pieces of 6"	12 pieces of 6"	20 pieces of 6"
34 pieces of 8"	24 pieces of 8"	40 pieces of 8"
17 pieces of 10"	12 pieces of 10"	20 pieces of 10"
17 pieces of 12"	12 pieces of 12"	20 pieces of 12"

* Specified tallies can be changed by request.

EXAMPLE: 4/4" CUSTOM MIXED NUT

3 stacks of 4"
(3 1/2" + 3 1/2" + 3 1/2")
2 stacks of 6"
(5 1/2" + 5 1/2")
2 stacks of 8"
(7 1/4" + 7 1/4")
1 stacks of 12"
(11 1/4")



47.25"

TALLY

51 pieces of 4"
34 pieces of 6"
34 pieces of 8"
17 pieces of 12"



VERSATEX would like to thank all the loyal, high-quality builders that provided pictures for this brochure:

GBI Corporation of Alexandria, VA (cover photo); Camlin Home Corporation of Bradenton, FL (back cover); Horizon Builders Inc. of Crofton, MD; Lettieri Construction of Westhampton Beach, NY; Primrose Homes, Inc. of Pittsburgh, PA; Boardwalk Builders of Rehoboth Beach, DE; Chris Keefe Builders, Inc. of Mayville, NY; Echelon Custom Homes of Fenwick, DE; Logan Homes, LLC of Leland, NC; Turnstone Builders, LLC of Rehoboth Beach, DE; Decor Innovations of Oakville, ON; David Ferrell Construction of Medford, NJ; Stratton Creek Wood Works, LLC of Kinsman, OH; Gibson Builders, LLC of Washington, DC; Thoughtful Development of Falls Church, VA; Tiber Company of Barnegat Light, NJ



VERSATEX[®]
BUILDING PRODUCTS

AMERICAN OWNED  AMERICAN MADE

A product of VERSATEX Building Products, LLC
400 Steel Street | Aliquippa, PA 15001
724.857.1111 | versatex.com

Download the **Premier Builder app** & our **VERSATEX Contractor Handbook app**

Available on the App Store and Google Play™



Apple and the Apple logo are trademarks of Apple Inc., registered in the U.S. and other countries. App Store is a service mark of Apple Inc. and Google Play is a trademark of Google Inc.



Join our e-mail list:

